

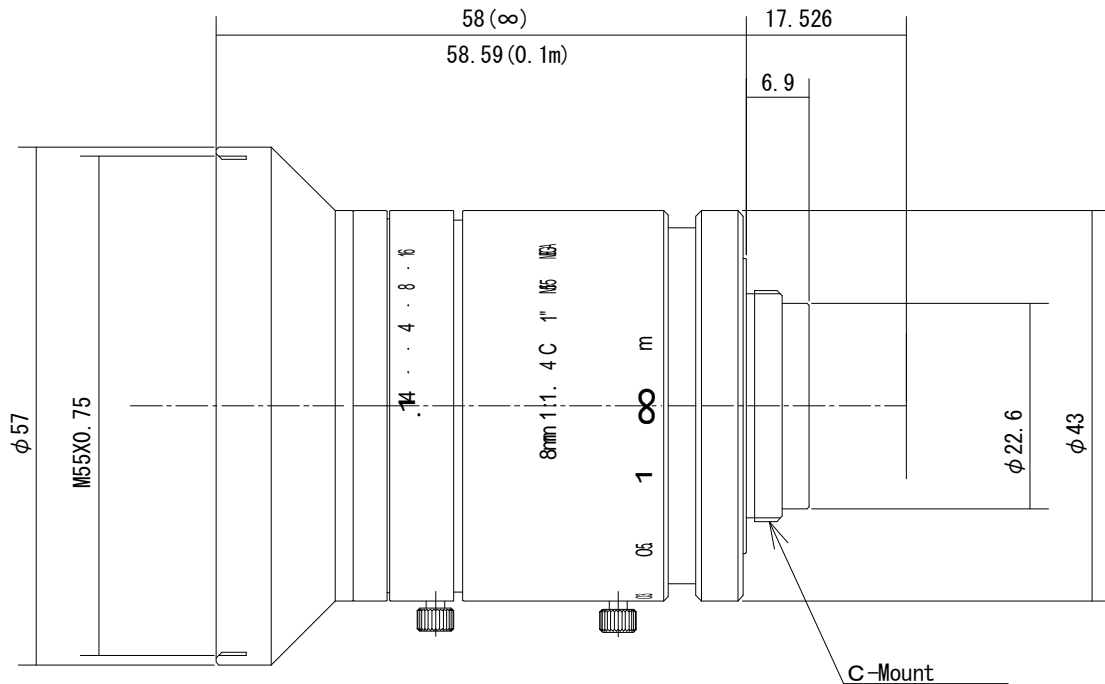
V0814-MP

f=8mm F1.4
for 1" type 2 Megapixel Cameras, Fixed-focal
C-Mount

Model No.		V0814-MP		Effective	Front	φ 35.6mm	
Focal Length		8mm		Lens Aperture	Rear	φ 17.4mm	
Max. Aperture Ratio		1:1.4		Distortion	1type	-7.07%(γ=8.0)	
Max. Image Format		12.8mm x 9.6mm(φ 16mm)			1/1.2type	-7.30%(γ=6.7)	
Operation Range		Iris	F1.4 - F16.0		2/3type	-6.03%(γ=5.5)	
		Focus	0.1m - Inf.	Back Focal Length		11.65mm	
Control	Iris	Manual		Flange Back Length		17.526mm	
	Focus	Manual		Mount		C-Mount	
Object Dimension at M.O.D.	1type	194.79 x 142.34mm		Filter Size		M55.0 P=0.75mm	
	1/1.2type	170.0 x 103.0mm		Dimensions		φ 57mm x 58mm	
	2/3type	129.55 x 95.41mm		Weight		250g	
	D	1 type	92.41°	1/1.2 type	82.40°	2/3 type	70.68°
	H		79.68°		72.30°		58.28°
	V		62.95°		47.85°		44.68°
Operating Temperature		-10°C - +50°C					

M.O.D. : Minimum Object Distance

Dimensions



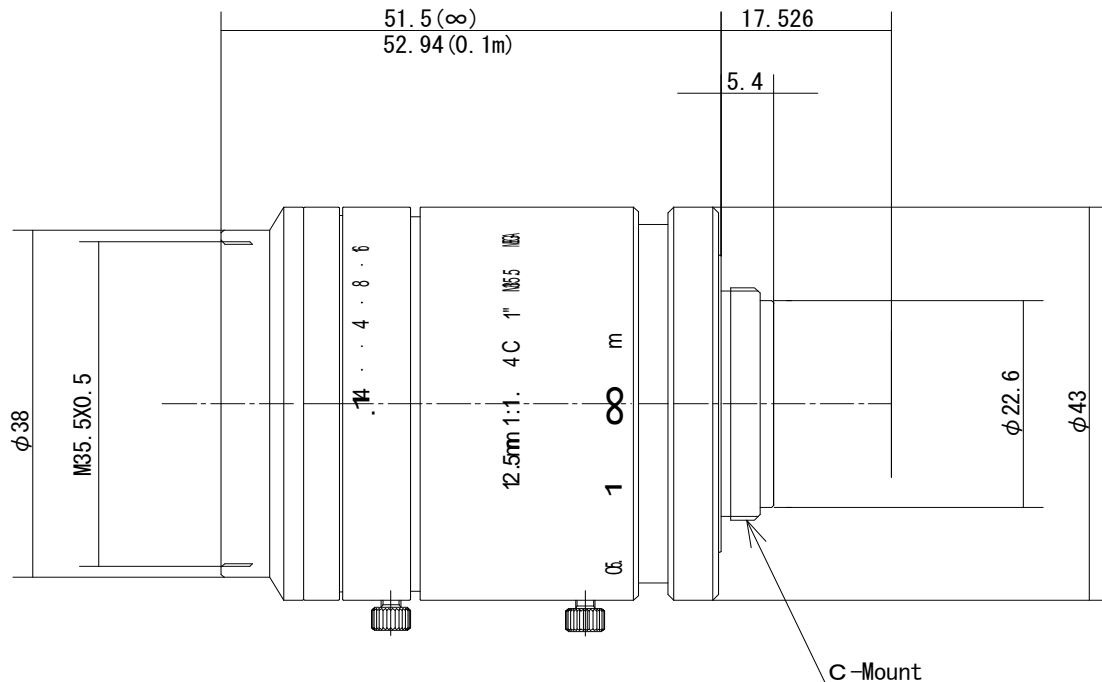
V1214-MP

f=12.5mm F1.4
for 1" type 2 Megapixel Cameras, Fixed-focal
C-Mount

Model No.		V1214-MP		Effective Lens Aperture	Front	ϕ 26.1mm	
Focal Length		12.5mm			Rear	ϕ 17.6mm	
Max. Aperture Ratio		1:1.4		Distortion	1type	-5.93%($\gamma=8.0$)	
Max. Image Format		12.8mm x 9.6mm(ϕ 16mm)			1/1.2type	-4.9%($\gamma=6.7$)	
Operation Range	Iris	F1.4 - F16.0			2/3type	-3.63%($\gamma=5.5$)	
	Focus	0.1m - Inf.		Back Focal Length	12.55mm		
Control	Iris	Manual		Flange Back Length	17.526mm		
	Focus	Manual		Mount	C-Mount		
Object Dimension at M.O.D.	1type	119.27 x 87.76mm		Filter Size	M35.5 P=0.5mm		
	1/1.2type	104.30 x 64.1 mm		Dimensions	ϕ 38mm x 51.5mm		
	2/3type	80.1 x 59.45 mm		Weight	175g		
Angle of View	D	1 type	67.59°	1/1.2 type	58.01°	2/3 type	48.38°
	H		56.45°		49.60°		39.10°
	V		42.51°		31.73°		29.53°
Operating Temperature		-10°C - +50°C					

M.O.D. : Minimum Object Distance

Dimensions



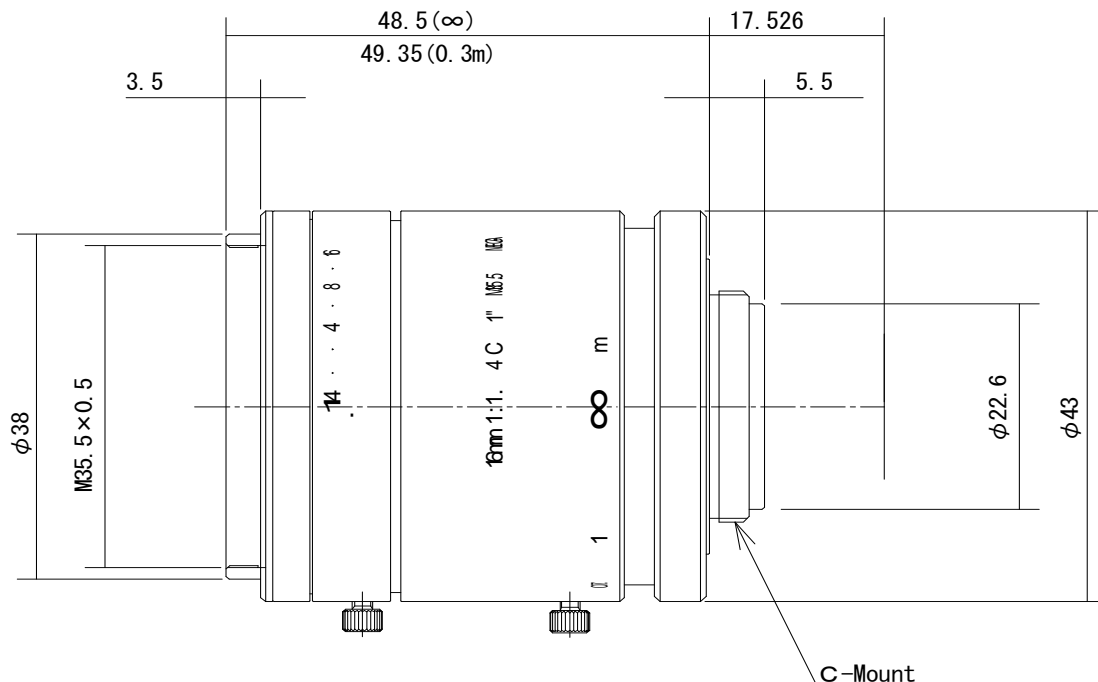
V1614-MP

f=16mm F1.4
for 1" type 2 Megapixel Cameras, Fixed-focal
C-Mount

Model No.		V1614-MP		Effective	Front	φ 20.1mm	
Focal Length		16mm		Lens Aperture	Rear	φ 18.0mm	
Max. Aperture Ratio		1:1.4		Distortion	1type	-3.84%(γ=8.0)	
Max. Image Format		12.8mm x 9.6mm(φ 16mm)			1/1.2type	-3.0%(γ=6.7)	
Operation Range	Iris	F1.4 - F16.0			2/3type	-2.24%(γ=5.5)	
	Focus	0.3m - Inf.		Back Focal Length	12.14mm		
Control	Iris	Manual		Flange Back Length	17.526mm		
	Focus	Manual		Mount	C-Mount		
Object Dimension at M.O.D.	1type	252.12 x 186.74mm		Filter Size	M35.5 P=0.5mm		
	1/1.2type	221.20 x 137.00 mm		Dimensions	φ 38mm x 48.5mm		
	2/3type	170.69 x 127.16 mm		Weight	170g		
Angle of View	D	1 type	54.36°	1/1.2 type	46.21°	2/3 type	38.30°
	H		44.25°		39.30°		30.84°
	V		33.56°		24.97°		23.23°
Operating Temperature		-10°C - +50°C					

M.O.D. : Minimum Object Distance

Dimensions



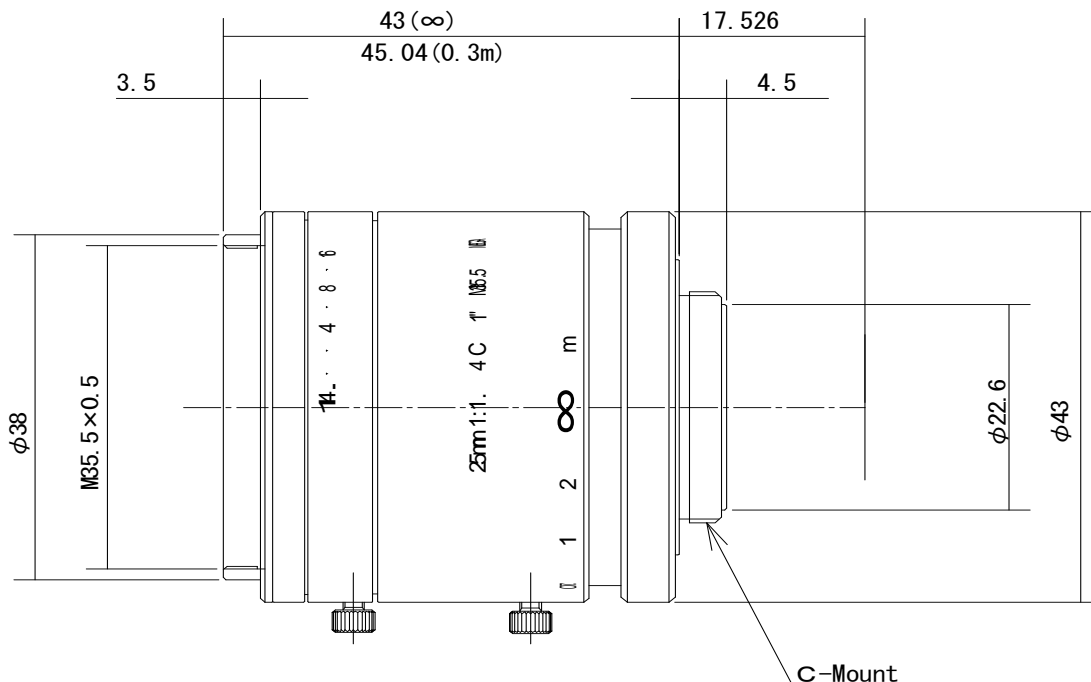
V2514-MP

f=25mm F1.4
for 1" type 2 Megapixel Cameras, Fixed-focal
C-Mount

Model No.		V2514-MP		Effective Lens Aperture	Front	φ 21.0mm	
Focal Length		25mm			Rear	φ 19.4mm	
Max. Aperture Ratio		1:1.4		Distortion	1type	-3.14%(γ=8.0)	
Max. Image Format		12.8mm x 9.6mm(φ 16mm)			1/1.2type	-2.2%(γ=6.7)	
Operation Range	Iris	F1.4 - F16.0			2/3type	-1.48%(γ=5.5)	
	Focus	0.3m - Inf.		Back Focal Length		15.71mm	
Control	Iris	Manual		Flange Back Length		17.526mm	
	Focus	Manual		Mount		C-Mount	
Object Dimension at M.O.D.	1type	160.88 x 119.24mm		Filter Size		M35.5 P=0.5mm	
	1/1.2 type	141.2 x 87.6 mm		Dimensions		φ 38mm x 43mm	
	2/3type	109.05 x 81.34mm		Weight		150g	
Angle of View	D	1 type	36.57°	1/1.2 type	30.66°	2/3 type	25.18°
	H		29.29°		25.87°		20.15°
	V		21.98°		16.27°		15.12°
Operating Temperature		-10°C - +50°C					

M.O.D. : Minimum Object Distance

Dimensions



V5014-MP

f=50mm F1.4
for 1" type 2 Megapixel Cameras, Fixed-focal
C-Mount

Model No.		V5014-MP		Effective	Front	φ 35.0mm	
Focal Length		50mm		Lens Aperture	Rear	φ 16.0mm	
Max. Aperture Ratio		1:1.4		Distortion	1type	0.82%(γ=8.0)	
Max. Image Format		12.8mm x 9.6mm(φ 16mm)			1/1.2type	0.70%(γ=6.7)	
Operation Range	Iris	F1.4 - F16.0			2/3type	0.51%(γ=5.5)	
	Focus	0.5m - Inf.		Back Focal Length	14.55mm		
Control	Iris	Manual		Flange Back Length	17.526mm		
	Focus	Manual		Mount	C-Mount		
Object Dimension at M.O.D.	1type	125.77 x 94.11mm		Filter Size	M40.5 P=0.5mm		
	1/1.2type	110.9 x 69.5 mm		Dimensions	φ 46mm x 48mm		
	2/3type	86.23 x 64.23mm		Weight	200g		
Angle of View	D	1 type	18.03°	1/1.2 type	15.10°	2/3 type	9.12°
	H		14.50°		12.80°		7.31°
	V		10.92°		8.10°		5.49°
Operating Temperature		-10°C - +50°C					

M.O.D. : Minimum Object Distance

Dimensions

