

Subminiature USB2 cameras

ximea

smallest industrial grade camera • lowest power consumption • 5 Mpix



ximu

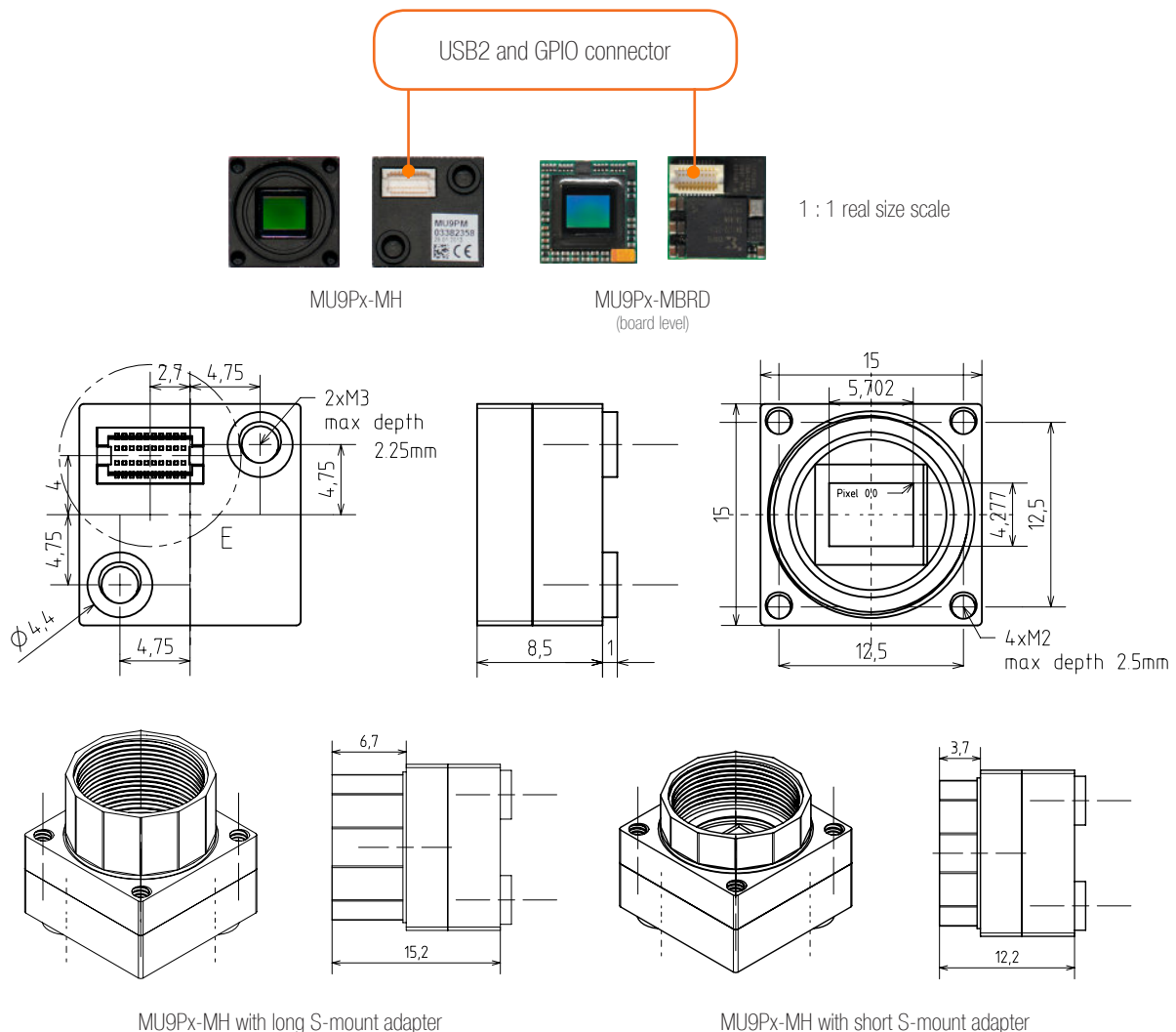
board level and housed cameras

xiMU - quick facts

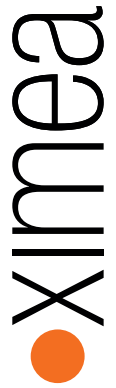
xiMU [ksi-mju: or sai-mju:] is a subminiature USB 2.0, triggerable, fully industrial grade camera family with outstanding features:

- Incredibly small: World smallest USB camera with GenICam/GenTL support.
- Low thermal dissipation
- Single PCB, board level version available

Sensor Technology	CMOS, rolling shutter with Global Reset Release
Acquisition Modes	Continuous, software trigger, hardware trigger
Partial Image Readout	ROI, Skipping and Binning modes supported
Image data formats	8, 10 or 12 bit RAW pixel data
Color image processing	Host based de-Bayering, sharpening, Gamma, color matrix
Hot/blemish pixels correction	On camera storage of pixel coordinates, host assisted correction
Auto adjustments	Auto white balance, auto gain, auto exposure
Flat field corrections	Host assisted pixel level shading
General Purpose I/O	4x I/O lines (bidirectional)
Synchronization	Hardware trigger input, software trigger, exposure strobe output, busy output
Housing and lens mount	Standard S-mount (M12). Two lens mount adapters available
Power requirements	Typ. 0.6 W, supplied via USB 2.0 interface
Operating systems	Windows, Linux Ubuntu, MacOS (>10.8)
Software support	xiAPI SDK, adapters and drivers for various image processing packages
USB standard compatible	USB 2.0, Universal Serial Bus Specification



xiMU - leading vision libraries supported



- Quick integration with third-party software using our easy-to-learn API/SDK and many examples made for AQSENSE SAL3D, Open CV, Aforge.NET, etc.
- All XIMEA cameras are plug-and-play compatible with most of the major image processing libraries on the market, including **MVTec HALCON**, **National Instruments LabVIEW**, **MathWorks MATLAB**, **STEMMER IMAGING Common Vision Blox**, **OpenCV** and many others.
- Support for GenICam/GenTL ensures forward compatibility with emerging image processing libraries, frameworks and packages.
- One-stop support of the camera and vision libraries integration.
- Open online community: Share experience, exchange knowledge and solutions at www.ximea.com/community.

Compatible with more than 30 popular machine vision libraries:

Please checke webstie for up-to-date list:



All trademarks are the property of their respective holders, used with permission. All other rights reserved.

GEN<i>i>CAM
T R A N S P O R T L A Y E R

xiMU - series camera specifications

Sensors and models:

Model		Sensor	Resolution	Pixel size [µm]	ADC [bits]	DR [dB]	optical size	Sensor size/ diagonal [mm]	max. power consumption
MU9PM-MH ¹⁾	b/w	Aptina MT9P031	2592 x 1944 5 MP	2.2	8,10,12	70	1/2.5"	5.7 x 4.3 7.1	0.7 W
MU9PC-MH ¹⁾	color								

Note 1: Please replace „-MH“ with „-MBRD“ in the model name to address the board level camera

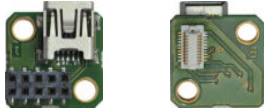
Read out modes:

Standard mode	Binning/skipping	Pixels	FPS
0	1x1	2592 x 1944	5.8
1	2x2 bin	1296 x 972	17
2	4x4 bin	648 x 486	36
3	2x2 skip	1296 x 972	22
4	4x4 skip	648 x 486	83
5	6x6 skip	430 x 324	163
6	7x7 skip	368 x 376	200
7	7x7 skip/clip	320 x 240	232

Interfaces, connectors, environmental:

Description	Value
Optimum ambient temperature	+10 to +25 °C
Ambient temperature operation	-10 to +55 °C (non condensing humidity)
Environment	Ingress Protection IP40
Size, Weight	MU9Px-MH: Height * width * depth : 15 x 15 x 8.5 mm, 3.4 g
	MU9Px-MBRD: Height * width * depth : 14 x 13.2 x 5.5 mm (with connector), 1.2 g
Connector mounted on the PCB	HRS DF12E(3.5)-20DP micro connector with USB 2.0 High-speed and digital I/O

Accessories:

Item-P/N	Description	Illustration
MU-MINIUSB	Mini-USB Extension Board for MU9Px-MH	

Compatibility:

Standard **Windows, Linux & MacOS** operation systems • GenICam / GenTL • Single SDK/API for all XIMEA camera models.

Products, brands and service names mentioned herein are the trademarks of their respective owners.

Contact:

Please visit ximea.com for complete product information.

E-mail our sales team at sales@ximea.com for your price and further information.



XIMEA GmbH, Germany

Hansestraße 81
48165 Münster
Germany
info@ximea.com
Tel: +49 2501 964 555-0
Fax: +49 2501 964 555-99

XIMEA s.r.o., Slovakia

Lesna 52
900 33 Marianka
Slovakia
info@ximea.com
Tel: +421 (2) 205 104 26
Fax: +421 (2) 205 104 27

XIMEA Corp., USA

2102 Beech Court
Golden, CO 80401
USA
info@ximea.com
Tel: +1 (303) 389-9838
Fax: +1 (303) 202-6350