

## 5M CMOS USB 3.0 60fps Rolling Shutter

NEW

5M CMOS

STC-MBA5MUSB3 【Mono】

STC-MCA5MUSB3 【Color】

Sentech is proud to present the STC-MCA5MUSB3, a member of the brand new USB 3.0 camera series. The color CMOS USB 3.0 camera is available in a 1/2.5" CMOS sensor with a 5MP to VGA scalable resolution and 14 to 123 FPS. This low cost, high performance camera is compatible with all standard industry drivers, and comes with the Sentech Viewing Software and SDK.



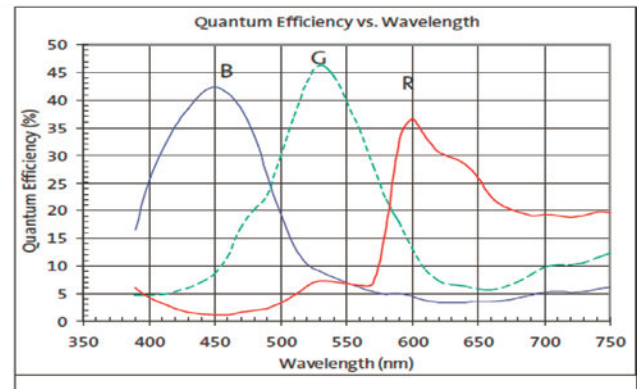
### Features

- 2592(H) x 1944(V)
- 2.2  $\mu$ m x 2.2  $\mu$ m
- 1/2.5" CMOS Sensor
- 60fps
- Rolling Shutter
- CS Mount
- USB 3.0
- 28 x 28 x 33.8 mm (excluding connector)

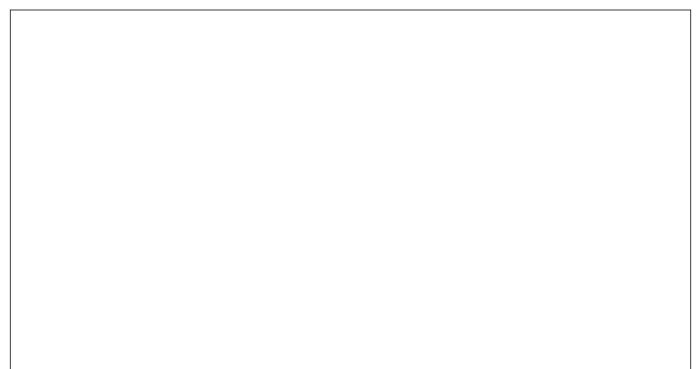
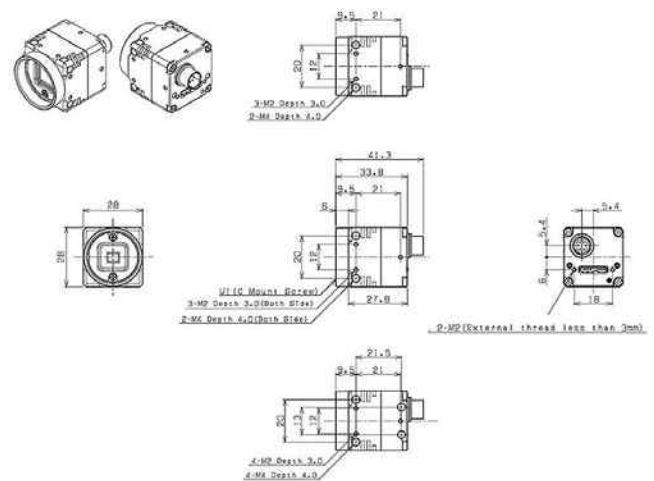
## Specifications

Model Numbers	: STC-MCA5MUSB3 (Color) STC-MBA5MUSB3 (Monochrome)
Image Sensor	: 1/2.5" 5M CMOS (Aptina: MT9P031i12STC) : 1/2.5" 5M CMOS (Aptina: MT9P031i12STM)
Shutter Type	: Rolling Shutter
Effective Pixels	: 2592 (H) x 1944 (V)
Cell Size	: 2.2 (H) x 2.2 (V) $\mu\text{m}$
Scanning Mode	: Full Scanning, Variable AOI (Horizontal / Vertical)
Frame Rate	: 14 ~ 123fps
Sync System	: Internal
Video Output:	: BGR8bit, RAW8bit / 10bit/12bit, Mono 8bit/10bit/12bit RAW 8bit / 10bit / 12bit
S/N Ratio	: $\leq$ 4 Digital (Gain 0 db)
Minimum Scene	: 9.0 Lux at F1.2 (Color)
Illumination	: 0.3 Lux at F1.2 (Monochrome)
ALC	: Auto Shutter / Auto Gain
Electronic Shutter:	: Free-run Mode: Exposure Time -- 32 $\mu\text{sec}$ ~ 38sec (in full scanning mode), Edge Preset Trigger Mode: Exposure Time -- 32 $\mu\text{sec}$ ~ 38sec (in full scanning mode), Pulse-width Trigger Mode: Exposure Time -- 32 $\mu\text{sec}$ to unlimited (in full scanning mode)
Interface	: USB3.0 Super speed (USB3.0 Micro B)
Gain	
- Analog	: 0 ~ 26.97 dB
- Digital:	: 0 ~ 12.04 dB
Digital Clamp	: 0 ~ 255 (LSB of 12bit output)
Gamma	: 0.1 ~ 4.0 (settable with 0.1 step)
AOI Function	: AOI (Horizontal: 32 ~ 2592 pixels / Vertical: 32 ~ 1944 lines); Adjustable Steps: 4 pixels in horizontal direction and 4 lines in vertical direction
Binning	: Horizontal 1/2, 1/4, Vertical 1/2, 1/4, *Only pixels in the horizontal direction can be added to increase the brightness.
Skipping	: Horizontal 1/2, 1/3, 1/4, 1/5, 1/6, 1/7, Vertical 1/2, 1/3, 1/4, 1/5, 1/6, 1/7, 1/8
Mirror Image	: Horizontal 1/2, 1/4, Vertical
Pixel Blemish Collection	: Up to 64 pixels (This function is turned of at shipping)
White Balance	: Auto / Manual / One shot
Operating Mode	: Free-run / Edge Preset Trigger / Pulse Width Trigger / Start and Stop Trigger
Input / Output	: USB 3.0 Super Speed (USB 3.0 Micro B)
Power	
- Input Voltage	: +5V(typ.) (Conform to USB Standard)
- Consumption	: Less than 2.0 W
Dimensions	: 28 (W) x 28 (H) x 33.8 (D) mm (excluding connectors)
Optical Filter	: IR Cut Filter
Lens Mount	: CS Mount
Weight	: Approximately 38 g
RoHS Compliance	: RoHS Compliant

## Spectral Sensivity



## Dimensions



※Specifications are subject to change without notice.