

## USB 2.0 CCD CASED VGA/XGA/SXVGA/SXGA/UXGA

# USB2

### VGA/XGA/SXVGA/SXGA/UXGA CCD

STC-MB33USB 【Mono】

STC-MB83USB 【Mono】

STC-MB133USB 【Mono】

STC-MB152USB 【Mono】

STC-MB202USB 【Mono】

STC-MC33USB 【Color】

STC-MC83USB 【Color】

STC-MC133USB 【Color】

STC-MC152USB 【Color】

STC-MC202USB 【Color】

Sentech's USB mini series are ultra-compact, progressive scan cameras with color and monochrome CCD's. It features hardware and software triggering, image capture, digital zoom and a feature-rich user based menu setup and control. These cased models are available with a rear mini-USB connector. Sentech USB cameras include a SDK, DirectX, Twain and Linux driver, as well as the Sentech Viewing Software.



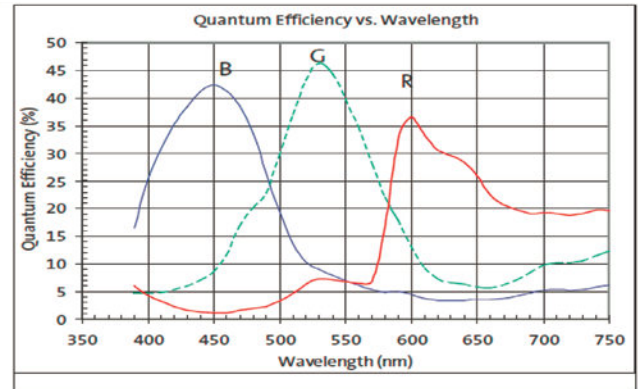
#### Features

- VGA 640 (H) x 480 (V), 60fps
- XGA 1024(H) x 768 (V), 30fps
- SXVGA 1280(H) x 960(V), 22fps
- SXGA 1360(H) x 1024(V), 19fps
- UXGA 1620(H) x 1236(V), 15fps

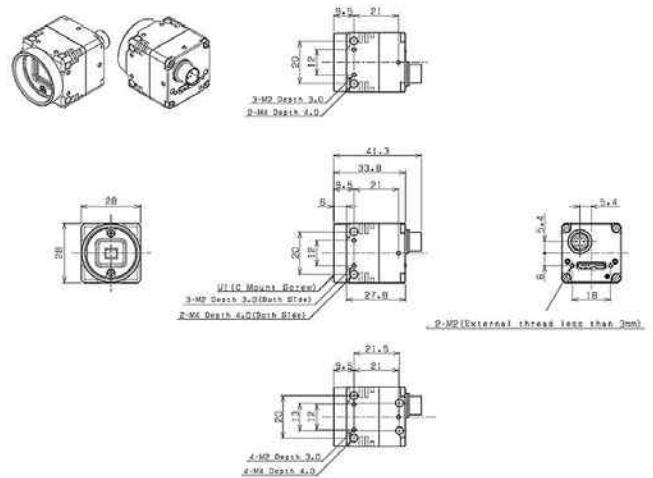
## Specifications

|                  |   |
|------------------|---|
| Model Numbers    | : STC-MC33USB (Color)<br>STC-MB33USB (Monochrome)<br>STC-MC83USB (Color)<br>STC-MB83USB (Monochrome)<br>STC-MC133USB (Color)<br>STC-MB133USB (Monochrome)<br>STC-MC152USB (Color)<br>STC-MB152USB (Monochrome)<br>STC-MC202USB (Color)<br>STC-MB202USB (Monochrome) |
| Image Sensor     | : 1/3 CCD VGA (Sony), 60fps<br>1/3 CCD XGA (Sony), 30fps<br>1/3 CCD SXVGA (Sony), 22fps<br>1/2 CCD SXGA (Sony), 19fps<br>1/3 CCD UXGA (Sony), 15fps   |
| Shutter Type     | : Global Shutter  |
| Effective Pixels | : 659(H) x 494(V)<br>1034(H) x 779(V)<br>1296(H) x 966(V)<br>1392(H) x 1040(V)<br>1628(H) x 1236(V)   |
| Cell Size:       | : 7.40 (H) x 7.40 (V) $\mu\text{m}$<br>4.65 (H) x 4.65 (V) $\mu\text{m}$<br>4.40 (H) x 4.40 (V) $\mu\text{m}$<br>3.75 (H) x 3.75 (V) $\mu\text{m}$  |
| Scanning System  | : Progressive   |
| Frame Rate       | : 14 ~ 60fps  |
| Noise Levels     | : TBD   |
| Minimum Scene    | : Color / Monochrome  |
| Illumination     | : 18 Lux at F1.2 / 0.17 Lux at F1.2<br>21 Lux at F1.2 / 0.54 Lux at F1.2<br>11 Lux at F1.2 / 0.15 Lux at F1.2<br>18 Lux at F1.2 / 0.47 Lux at F1.2<br>7.7 Lux at F1.2 / 0.13 Lux at F1.2  |
| Video Format     | : 8bit / 10bit / 12bit  |
| Input / Output   | : USB 2.0 High Speed  |
| Gain             | : Auto / Manual (Software Selectable)   |
| Gamma            | : Manual (Software Selectable)  |
| Trigger Mode     | : Free-run / Edge Preset Trigger / Pulse Width Trigger / Start and Stop Trigger   |
| Power            | : - Input Voltage : +5V(typ.) (Conform to USB Standard)<br>- Consumption : 420 mA ~ 450 mA  |
| Dimensions       | : 28 (W) x 28 (H) x 37 (D) mm (Excluding Connectors)  |
| Optical Filter   | : N/A   |
| Lens Mount       | : CS Mount  |
| Weight           | : Approximately 45 g  |
| RoHS Compliance  | : RoHS Compliant  |

## Spectral Sensivity



## Dimensions



※Specifications are subject to change without notice.