

# FS-B2KU7CL

## Line Scan

2K-7 CMOS   4K-3.5 CMOS   4K-7 CMOS   8K-3.5 CMOS   8K-7 CMOS   16K-3.5 CMOS

F0  
&E

### Line Scan CL, CMOS, 2K, Mono, Cased

Sentech's 2k Line Scan Camera Link camera features an 80 kHz Line Rate, Color or Monochrome models, Camera Link Output, and more. The camera is available with Field Update Capabilities, Dual Line Scan, and C,F, or M42 Mounts.



F0  
E2 Documents

F0  
E5 Software and Drivers

F0  
E1 CMOS Sensor

F0  
E1 2K Pixels

F0  
E1 High Speed Camera Link Output

F0  
E1 F, C, M42 mount

## Specifications

### F0 E4 Imaging

<b>Model No</b>	FS-B2KU7CL
<b>Image Sensor</b>	2k CMOS image sensor DR-2k-7 (AWAIBA)
<b>Active Pixels</b>	2,048 pixels
<b>Pixel Size</b>	7 (H) x 7 (V) $\mu\text{m}$ (7 $\mu\text{m}$ pitch)
<b>Photo Array Length</b>	14.336 mm

### F0 E1 Function

<b>Total Data Rate</b>	-
- <b>Camera Link Base</b>	85MHz x 2 TAP: 80kHz
- <b>Camera Link Base</b>	80MHz x 2 TAP: 75kHz
- <b>Camera Link Base</b>	50MHz x 2 TAP: 47kHz
<b>Video Output</b>	-
- <b>Camera Link Base</b>	8 bit / 10 bit
<b>Power</b>	-

F1  
0E

## Mechanical

---

<b>Dimensions</b>	56 (W) x 58 (H) x 26.5 (D) mm
<b>Lens Mount</b>	F Mount, C Mount
<b>Weight</b>	Approx. 250g
<b>Interface Connector</b>	Camera Link connector (MDR) x 2; Power connector (6pin connector)



## Environmental

---

<b>RoHS</b>	RoHS Compliant
<b>Operating Temperature</b>	0 ~ 40°C
<b>Storage Temperature</b>	-30 ~ 65°C

---

# FS-B4KU35CL

## Line Scan

2K-7 CMOS   4K-3.5 CMOS   4K-7 CMOS   8K-3.5 CMOS   8K-7 CMOS   16K-3.5 CMOS

### Line Scan CL, CMOS, 4K, Mono, Cased

Sentech's 4k Line Scan Camera Link camera features an 80 kHz Line Rate, Color or Monochrome models, Camera Link Output, and more. The camera is available with Field Update Capabilities, Dual Line Scan, and C, F, or M42 Mounts.



Documents

Software and Drivers

CMOS Sensor

4K Pixels

High Speed Camera Link Output

F, M42 mount

## Specifications

### Imaging

<b>Model No</b>	FS-B4KU35CL
<b>Image Sensor</b>	4k CMOS image sensor DR-4k-3.5 (AWAIBA)
<b>Active Pixels</b>	4,096 Pixels
<b>Pixel Size</b>	3.5 (H) x 3.5 (V) um (3.5 um pitch)
<b>Photo Array Length</b>	14.336 mm

### Function

<b>Total Data Rate</b>	-
- Camera Link Medium	85MHz x 4 TAP: 340 MHz
- Camera Link Medium	80MHz x 4 TAP: 320 MHz
- Camera Link Medium	50MHz x 4 TAP: 200 MHz
- Camera Link Base	85MHz x 2 TAP: 170 MHz
- Camera Link Base	80MHz x 2 TAP: 160 MHz
- Camera Link Base	50MHz x 2 TAP: 100 MHz

<b>- Input Voltage</b>	+12 Vdc ~ +24 Vdc
<b>- Consumption</b>	2.8W (TYP)
<b>Communication</b>	RS232 via CameraLink® connector
<b>Functions</b>	Anti-blooming, High speed exposure control, External trigger control, Flat Field Correction(FFC)
<b>Fill Factor</b>	100%
<b>Responsivity (except opck=11) gbdt=1</b>	9DN/nj/cm2 (@8bit)
<b>Responsivity (except opck=11) gbdt=0</b>	38DN/nj/cm2 (@8bit)
<b>Responsivity (opck=11) gbdt=1</b>	19DN/nj/cm2 (@8bit)
<b>Responsivity (opck=11) gbdt=0</b>	77 DN / nj / cm2

F0  
85

## Mechanical

---

<b>Dimensions</b>	56 (W) x 58 (H) x 26.5 (D) mm
<b>Lens Mount</b>	F Mount, C Mount
<b>Weight</b>	Approx. 250g
<b>Interface Connector</b>	Camera Link connector (MDR) x 2; Power connector (6pin connector)

## Environmental

---

<b>RoHS</b>	RoHS Compliant
<b>Operating Temperature</b>	0 ~ 40°C
<b>Storage Temperature</b>	-30 ~ 65°C

---

# FS-B4KU7CL

## Line Scan

2K-7 CMOS   4K-3.5 CMOS   4K-7 CMOS   8K-3.5 CMOS   8K-7 CMOS   16K-3.5 CMOS

### Line Scan CL, CMOS, 4K, Mono, Cased

Sentech's 4k Line Scan Camera Link camera features an 80 kHz Line Rate, Color or Monochrome models, Camera Link Output, and more. The camera is available with Field Update Capabilities, Dual Line Scan, and C, F, or M42 Mounts.



Documents

Software and Drivers

CMOS Sensor

4K Pixels

High Speed Camera Link Output

F, M42 mount

## Specifications

### Imaging

<b>Model No</b>	FS-B4KU7CL
<b>Image Sensor</b>	4k CMOS image sensor DR-4k-7 (AWAIBA)
<b>Active Pixels</b>	4,096 Pixels
<b>Pixel Size</b>	7 (H) x 7 (V) $\mu\text{m}$ (7 $\mu\text{m}$ pitch)
<b>Photo Array Length</b>	14.336 mm

### Function

<b>Total Data Rate</b>	-
- Camera Link Medium	85MHz x 4 TAP: 340 MHz
- Camera Link Medium	80MHz x 4 TAP: 320 MHz
- Camera Link Medium	50MHz x 4 TAP: 200 MHz
- Camera Link Base	85MHz x 2 TAP: 170 MHz
- Camera Link Base	80MHz x 2 TAP: 160 MHz
- Camera Link Base	50MHz x 2 TAP: 100 MHz

<b>- Input Voltage</b>	+12 Vdc ~ +24 Vdc
<b>- Consumption</b>	2.8W (TYP)
<b>Communication</b>	RS232 via CameraLink® connector
<b>Functions</b>	Anti-blooming, High speed exposure control, External trigger control, Flat Field Correction(FFC)
<b>Fill Factor</b>	100%
<b>Responsivity (except opck=11) gbdt=1</b>	19DN/nj/cm2 (@8bit)
<b>Responsivity (except opck=11) gbdt=0</b>	77 DN / nj / cm2
<b>Responsivity (opck=11) gbdt=1</b>	38DN/nj/cm2 (@8bit)
<b>Responsivity (opck=11) gbdt=0</b>	155Dn/nj/cm2 (@8bit)

## Mechanical

---

<b>Dimensions</b>	56 (W) x 58 (H) x 26.5 (D) mm
<b>Lens Mount</b>	F Mount
<b>Weight</b>	Approx. 250g
<b>Interface Connector</b>	Camera Link connector (MDR) x 2; Power connector (6pin connector)

## Environmental

---

<b>RoHS</b>	RoHS Compliant
<b>Operating Temperature</b>	0 ~ 40°C
<b>Storage Temperature</b>	-30 ~ 65°C

---

# FS-B8KU35CL


## Line Scan


2K-7 CMOS   4K-3.5 CMOS   4K-7 CMOS   8K-3.5 CMOS   8K-7 CMOS   16K-3.5 CMOS

### Line Scan CL, CMOS, 8K, Mono, Cased

Sentech's 8k Line Scan Camera Link camera features a 40 kHz Line Rate, Color or Monochrome Models, Camera Link Output, and more. The camera is available with Field Update Capabilities, and C, F, M42 or M72 Mounts.




 Documents

 Software and Drivers

 CMOS Sensor

 8K Pixels

 High Speed Camera Link Output

 M72 mount(P=0.75mm)

## Specifications

### Imaging

<b>Model No</b>	FS-B8KU7CL
<b>Image Sensor</b>	8k CMOS image sensor DR-8k-7 (AWAIBA)
<b>Active Pixels</b>	8,192 pixels
<b>Pixel Size</b>	7 (H) x 7 (V) $\mu\text{m}$ (7 $\mu\text{m}$ pitch)
<b>Photo Array Length</b>	57.344 mm

### Function

<b>Total Data Rate</b>	-
- Camera Link Full	85MHz x 8 TAP: 680 MHz
- Camera Link Full	80MHZ x 8 TAP: 640 MHz
- Camera Link Full	50MHz x 8 TAP: 400 MHz
- Camera Link Medium	85MHz x 4 TAP: 340 MHz
- Camera Link Medium	80MHZ x 4 TAP: 320 MHz
- Camera Link Medium	50MHz x 4 TAP: 200 MHz
- Camera Link Base	85MHz x 2 TAP: 170 MHz

- Camera Link Medium	8 bit / 10 bit
- Camera Link Base	8 bit / 10 bit
Power	-
- Input Voltage	+12 Vdc ~ +24 Vdc
- Consumption	4.3W (TYP)
Communication	RS232 via CameraLink® connector
Functions	Anti-blooming, High speed exposure control, External trigger control, Flat Field Correction(FFC)
Fill Factor	100%
Responsivity (except opck=11) gbdt=1	9DN/nj/cm2 (@8bit)
Responsivity (except opck=11) gbdt=0	38DN/nj/cm2 (@8bit)
Responsivity (opck=11) gbdt=1	19DN/nj/cm2 (@8bit)
Responsivity (opck=11) gbdt=0	77 DN / nj / cm2

## Mechanical

---

Dimensions	56 (W) x 58 (H) x 26.5 (D) mm
Lens Mount	F Mount
Weight	Approx. 250g
Interface Connector	Camera Link connector (MDR) x 2; Power connector (6pin connector)

## Environmental

---

RoHS	RoHS Compliant
Operating Temperature	0 ~ 40°C
Storage Temperature	-30 ~ 65°C

---



# FS-B8KU7CL


## Line Scan

2K-7 CMOS 4K-3.5 CMOS 4K-7 CMOS 8K-3.5 CMOS 8K-7 CMOS 16K-3.5 CMOS

### Line Scan CL, CMOS, 8K, Mono, Cased

Sentech's 8k Line Scan Camera Link camera features a 40 kHz Line Rate, Color or Monochrome Models, Camera Link Output, and more. The camera is available with Field Update Capabilities, and C, F, M42 or M72 Mounts.

 Documents

 Software and Drivers

 CMOS Sensor

 8K Pixels

 High Speed Camera Link Output

 M72 mount(P=0.75mm)

## Specifications

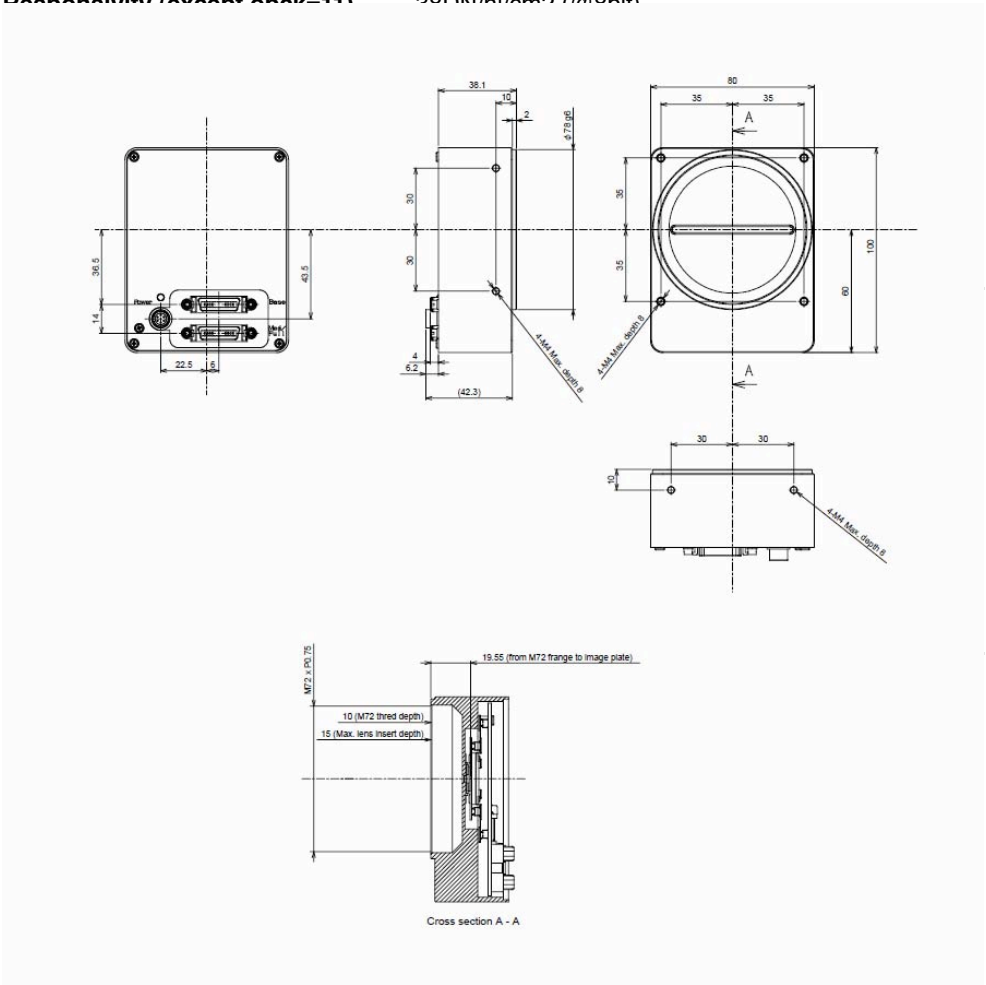
### Imaging

<b>Model No</b>	FS-B8KU35CL
<b>Image Sensor</b>	8k CMOS image sensor DR-8k-3.5 (AWAIBA)
<b>Active Pixels</b>	8,192 pixels
<b>Pixel Size</b>	7 (H) x 7 (V) $\mu\text{m}$ (7 $\mu\text{m}$ pitch)
<b>Photo Array Length</b>	57.344 mm

### Function

<b>Total Data Rate</b>	-
- Camera Link Full	85MHz x 8 TAP: 680 MHz
- Camera Link Full	80MHz x 8 TAP: 640 MHz
- Camera Link Full	50MHz x 8 TAP: 400 MHz
- Camera Link Medium	85MHz x 4 TAP: 340 MHz
- Camera Link Medium	80MHz x 4 TAP: 320 MHz
- Camera Link Medium	50MHz x 4 TAP: 200 MHz
- Camera Link Base	85MHz x 2 TAP: 170 MHz

- Camera Link Medium	8 bit / 10 bit
- Camera Link Base	8 bit / 10 bit
Power	-
- Input Voltage	+12 Vdc ~ +24 Vdc
- Consumption	4.3W (TYP)
Communication	RS232 via CameraLink® connector
Functions	Anti-blooming, High speed exposure control, External trigger control, Flat Field Correction(FFC)
Fill Factor	100%
Responsivity (except opck=11) gbdt=1	9DN/nj/cm2 (@8bit)
Responsivity (except opck=11)	9DN/nj/cm2 (@8bit)



# FS-B16KU35CL

## Line Scan


2K-7 CMOS   4K-3.5 CMOS   4K-7 CMOS   8K-3.5 CMOS   8K-7 CMOS   16K-3.5 CMOS

### Line Scan CL, CMOS, 16K, Mono, Cased

Sentech's 16k Line Scan Camera Link camera features a 40 kHz Line Rate, Monochrome Models, Camera Link Output, and more. The camera is available with Field Update Capabilities, and M72 Mounts.



 Documents

 Software and Drivers

 CMOS Sensor

 16K Pixels

 High Speed Camera Link Output

 M72 mount(P=0.75mm)

## Specifications

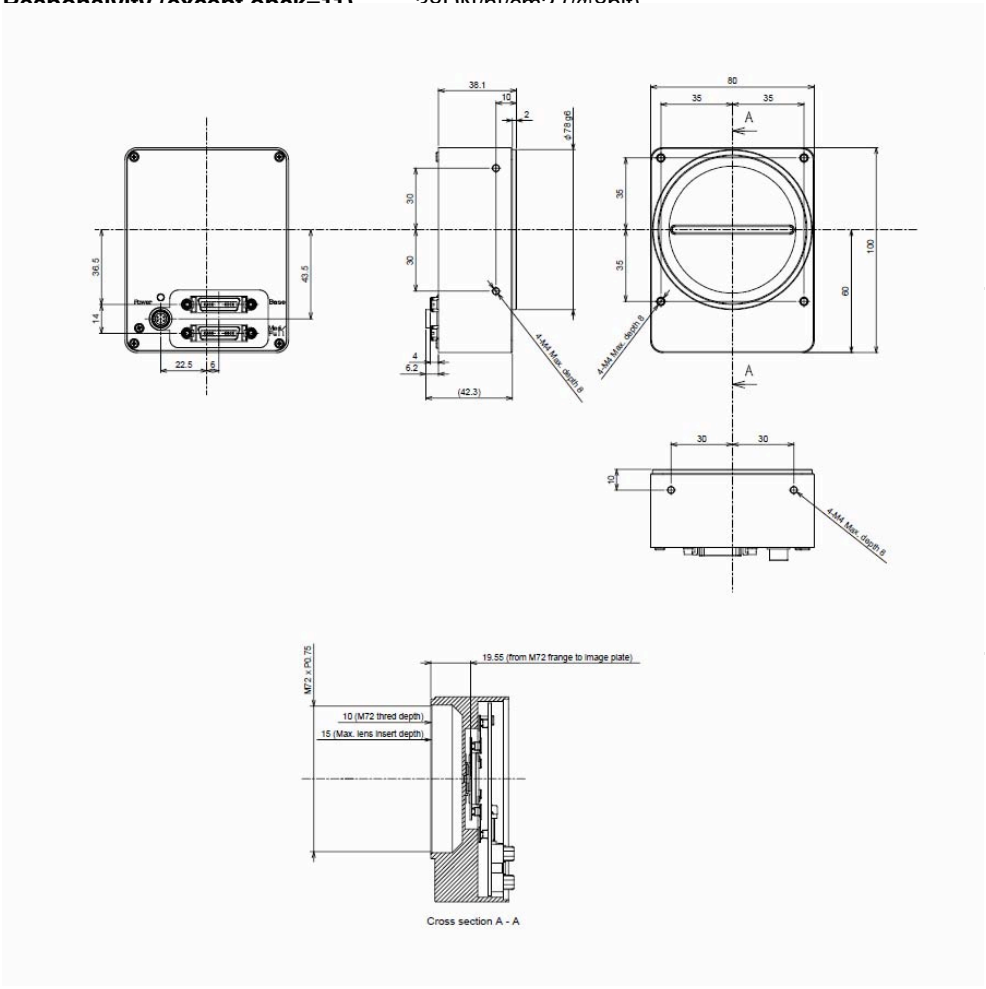
### Imaging

<b>Model No</b>	FS-B16KU35CL
<b>Image Sensor</b>	16k CMOS Image Sensor DR-16k-3.5 (AWAIBA)
<b>Active Pixels</b>	16,384 pixels
<b>Pixel Size</b>	3.5 (H) x 3.5 (V) um (3.5 um pitch)
<b>Photo Array Length</b>	57.344 mm

### Function

<b>Total Data Rate</b>	-
- Camera Link Full	85MHz x 8 TAP: 680 MHz
- Camera Link Full	80MHz x 8 TAP: 640 MHz
- Camera Link Full	50MHz x 8 TAP: 400 MHz
- Camera Link Medium	85MHz x 4 TAP: 340 MHz
- Camera Link Medium	80MHz x 4 TAP: 320 MHz
- Camera Link Medium	50MHz x 4 TAP: 200 MHz
- Camera Link Base	85MHz x 2 TAP: 170 MHz

- Camera Link Medium	8 bit / 10 bit
- Camera Link Base	8 bit / 10 bit
Power	-
- Input Voltage	+12 Vdc ~ +24 Vdc
- Consumption	4.3W (TYP)
Communication	RS232 via CameraLink® connector
Functions	Anti-blooming, High speed exposure control, External trigger control, Flat Field Correction(FFC)
Fill Factor	100%
Responsivity (except opck=11) gbdt=1	9DN/nj/cm2 (@8bit)
Responsivity (except opck=11)	9DN/nj/cm2 (@8bit)



# FS-C2KU7DCL

## Line Scan

2K-7 CMOS

4K-7 CMOS

8K-7 CMOS

Line Scan CL CMOS, 2K, Color, Cased

Sentech's 2k Line Scan Camera Link camera features an 80 kHz Line Rate, Color or Monochrome models, Camera Link Output, and more. The camera is available with Field Update Capabilities, Dual Line Scan, and C,F, or M42 Mounts.



Documents

Software and Drivers

CMOS Sensor

2K Pixels

High Speed Camera Link Output

F, C, M42 mount

## Specifications

### Imaging

<b>Model No</b>	FS-C2KU7DCL
<b>Image Sensor</b>	2K CMOS Image Sensor DR-2X2K-7-invar-RGB (AWAIBA)
<b>Active Pixels</b>	2,048 pixels x 2lines (Bayer)
<b>Pixel Size</b>	7 (H) x 7 (V) $\mu\text{m}$ (7 $\mu\text{m}$ pitch)

### Function

<b>Photo Array Length</b>	14.336 mm
<b>Data Rate</b>	85 MHz x RGB x 3 tap, 80 MHz x RGB x 3 tap, 50 MHz x RGB x 3 tap
<b>Maximum Line Rate</b>	80kHz (85MHz x3tap (RGB)), 75kHz (80MHzx3tap (RGB)), 46kHz (50MHz x3tap (RGB))
<b>Video Output</b>	Camera Link, Base/Medium/Full configuration, (8/10bit)
<b>Power</b>	-
- <b>Input Voltage</b>	+12 Vdc ~ +24 Vdc
- <b>Consumption</b>	6.0 W (TYP)

<b>Interface Connector</b>	Camera Link connector (MDR) x 2; Power connector (6pin connector)
<b>Operating Temperature</b>	0 ~ 40°C

## Environmental

---

<b>RoHS</b>	RoHS Compliant
<b>Operating Temperature</b>	0 ~ 40°C
<b>Storage Temperature</b>	-30 ~ 65°C

---

# FS-C4KU7DCL

## Line Scan

2K-7 CMOS

4K-7 CMOS

8K-7 CMOS

### Line Scan CL CMOS, 4K, Color, Cased

Sentech's 4k Line Scan Camera Link camera features an 80 kHz Line Rate, Color or Monochrome models, Camera Link Output, and more. The camera is available with Field Update Capabilities, Dual Line Scan, and C, F, or M42 Mounts.

📄 Documents

📁 Software and Drivers



📄 CMOS Sensor

📄 4K Pixels

📄 High Speed Camera Link Output

📄 F, M42 mount

## Specifications

### 📄 Imaging

<b>Model No</b>	FS-C4KU7DCL
<b>Image Sensor</b>	4k CMOS Image Sensor, DR-2X4K-7-inver-RGB, (AWAIBA)
<b>Active Pixels</b>	4,096 Pixels x 2lines (Bayer)
<b>Pixel Size</b>	7 (H) x 7 (V) $\mu\text{m}$ (7 $\mu\text{m}$ pitch)

### 📄 Function

<b>Photo Array Length</b>	28.672 mm
<b>Data Rate</b>	85 MHz x RGB x 6 tap, 80 MHz x RGB x 6 tap, 50 MHz x RGB x 6 tap, 85 MHz x RGB x 3 tap, 80 MHz x RGB x 3 tap, 50 MHz x RGB x 3 tap
<b>Maximum Line Rate</b>	80.5 kHz (85 MHz x RGB x 6 tap), 75 kHz (80 MHz x RGB x 6 tap), 46 kHz (50 MHz x RGB x 6 tap), 40.5 kHz (85 MHz x RGB x 3 tap), 38.5 kHz (80 MHz x RGB x 3 tap), 24 kHz (50 MHz x RGB x 3 tap)
<b>Video Output</b>	Camera Link, Base/Medium, configuration (8/10bit)
<b>Power</b>	-

<b>Lens Mount</b>	F Mount, C Mount
<b>Weight</b>	About 198g
<b>Interface Connector</b>	Camera Link connector (MDR) x 2; Power connector (6pin connector)
<b>Operating Temperature</b>	0 ~ 40°C

## Environmental

---

<b>RoHS</b>	RoHS Compliant
<b>Operating Temperature</b>	0 ~ 40°C
<b>Storage Temperature</b>	-30 ~ 65°C

---



# FS-C8KU7DCL

## Line Scan

2K-7 CMOS

4K-7 CMOS

8K-7 CMOS

### Line Scan CL CMOS, 8K, Color, Cased

Sentech's 8k Line Scan Camera Link camera features a 40 kHz Line Rate, Color or Monochrome Models, Camera Link Output, and more. The camera is available with Field Update Capabilities, and C, F, M42 or M72 Mounts.

 Documents

 Software and Drivers



 CMOS Sensor

 8K Pixels

 High Speed Camera Link Output

 M72 mount(P=0.75mm)

## Specifications

### Imaging

<b>Model No</b>	FS-C8KU7DCL
<b>Image Sensor</b>	8k CMOS Image Sensor, DR-2X8K-7- RGB, (AWAIBA)
<b>Active Pixels</b>	8,192 pixels x 2lines (Bayer)
<b>Pixel Size</b>	7 (H) x 7 (V) $\mu\text{m}$ (7 $\mu\text{m}$ pitch)

### Function

<b>Photo Array Length</b>	57.344 mm
<b>Data Rate</b>	85 MHz x RGB x 6 tap, 80 MHz x RGB x 6 tap, 50 MHz x RGB x 6 tap, 85 MHz x RGB x 3 tap, 80 MHz x RGB x 3 tap, 50 MHz x RGB x 3 tap
<b>Maximum Line Rate</b>	40.5kHz(85MHzx6tap(GBx2)), 38.5kHz(80MHzx6tap(GBx2)), 24kHz (50MHzx6tap(GBx2)), 20.5kHz (85MHz x3tap(GB)), 19kHz (80MHz x3tap(GB)), 12kHz (50MHz x3tap(GB))

## Mechanical

---

<b>Dimensions</b>	80 (W) x 100 (H) x 38.1 (D) mm (excluding connector)
<b>Lens Mount</b>	M72, P=0.75 mm
<b>Weight</b>	About 472g
<b>Interface Connector</b>	Camera Link connector (MDR) x 2; Power connector (6pin connector)
<b>Operating Temperature</b>	0 ~ 40°C

## Environmental

---

<b>RoHS</b>	RoHS Compliant
<b>Operating Temperature</b>	0 ~ 40°C
<b>Storage Temperature</b>	-30 ~ 65°C