

2M/4M GigE Vision Camera 50fps/25fps Global Shutter

NEW

High-Speed 2M / 4M CMOS

STC-CMB2MPOE 【2M Mono】

STC-CMC2MPOE 【2M Color】

STC-CMB2MPOE-IR 【2M NIR】

STC-CMB4MPOE 【4M Mono】

STC-CMC4MPOE 【4M Color】

STC-CMB4MPOE-IR 【4M NIR】

Recently Sentech added 2 megapixel and 4 megapixel high speed models to our GigE Vision product line. With a high speed 50fps (2M) or 25fps(4M), productivity can be increased with ease. Both cameras are designed for Power over Ethernet and do not require a separate power supply.



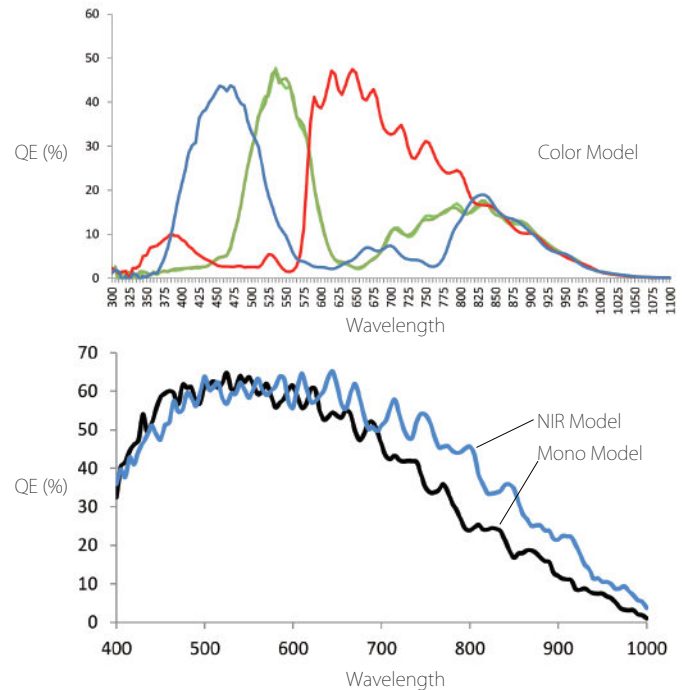
Features

- 2M: 2048(H) x 1088(V) 50fps
- 4M: 2048(H) x 2048(V) 25fps
- 5.5 μm x 5.5 μm
- 2M: 2/3" 4M: 1"
- Global Shutter
- PoE / External Power
- 35 x 35 x 55.9 mm (Excluding Connectors)
- GigE Vision

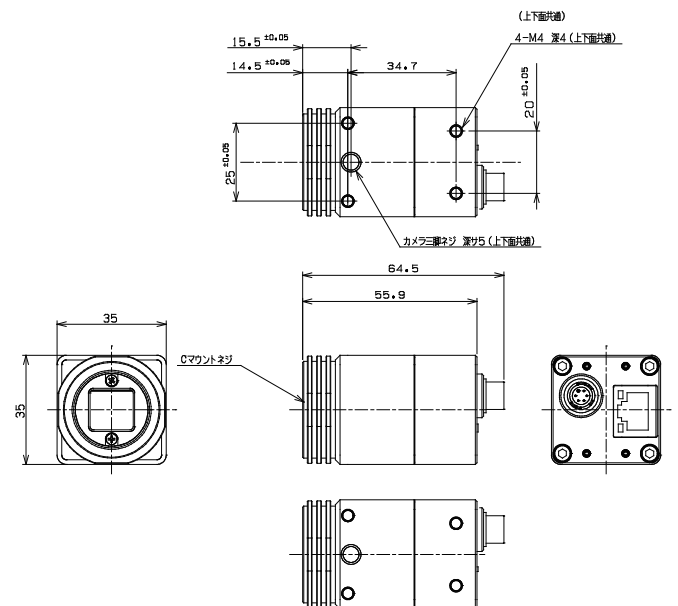
Specifications

Model Numbers	: STC-CMC2MPOE (2M Color) STC-CMB2MPOE (2M Mono) STC-CMB2MPOE-IR (2M NIR) STC-CMC4MPOE (4M Color) STC-CMB4MPOE (4M Mono) STC-CMB4MPOE-IR (4M NIR)
Image Sensors	: 2/3" 2M CMOS (CMOSIS CMV2000) 1" 4M CMOS (CMOSIS CMV4000)
Shutter Type	: Global
Effective Pixels	: 2048 (H) x 1088 (V) (2M) 2048 (H) x 2048 (V) (4M)
Pixel Cell Size	: 5.5 (H) x 5.5 (V) μm
Frame Rate	: • 2M 50 fps (full image size) 25fps @ 10-bit output 1 ~ 780 fps (with AOI settings) Max frame rate of 780fps with V. size of 32 pixels • 4M 25fps (full image size) 12.5fps @ 10-bit output 1 ~ TBD fps (with AOI settings) Max frame rate of TBDfps with V. size of 32 pixels
Noise Level	: Less than 3 digits at 8-bit output (Gain=0dB) Less than 12 digits at 10-bit output (Gain=0dB)
Minimum Scene	: TBD Lux at F1.2 (2M Color)
Illumination	: 0.12 Lux at F1.2 (2M Mono) 0.09 Lux at F1.2 (2M NIR) TBD Lux at F1.2 (4M Color) TBD Lux at F1.2 (4M Mono) TBD Lux at F1.2 (4M NIR)
Video Format	: 8/10 bit Raw Data, RGB 8 bit (Color) 8/10 bit Raw Data (Mono, IR)
Interface	: IEEE802.3 (1000BASE-T)
Protocol	: GigE Vision® 1.2 & GenICam™ 2.0 compliant
Exposure Time	: 25 μsec ~ 2,000 msec
ALC	: Electronic Iris and AGC on and off
Digital Gain	: 1 - 3x
Gamma	: 1.0 or up to loadable Gamma table
Color Interpolation	: Included (Color Model Only)
White Balance	: Auto, Manual, & Push to Set White (Color Model Only)
Operating Modes	: Edge Preset Trigger & Pulse Width Trigger
Communication	: UART through Ethernet port
Input/Output	: 1 input (opt isolated), 2 outputs (3.3V LVTTTL)
Input Voltage	: +10.8 ~ +26.4 Vdc
Power	: less than 3.6W
Consumption	
Dimensions	: 35 (W) x 35 (H) x 55.9(D) mm (excluding connectors)
Optical Filter	: Not Included
Lens Mount	: C Mount
Ethernet Connector	: RJ45
Power & I/O	: HR10A-7R-6PB (or equivalent)
1/4" Mount Holes	: 1/4" Camera mount holes on top and bottom
M4 Mounting Holes	: 4 each on the top and bottom, 2 each on both sides
Weight	: Approx. 120g
Compliance	: RoHS Compliant

Spectral Response



Dimensions



※Product Specifications may change without notice.