

## 1.3M/5M GigE Vision 61fps/14fps CMOS

NEW

### High-Speed 1.3M / 5M CMOS

STC-SBE132POE 【1.3M Mono】

STC-SCE132POE 【1.3M Color】

STC-SBA503POE 【5M Mono】

STC-SCA503POE 【5M Color】

Sentech has added two new cameras to the CMOS GigE Vision line up.  
The 1.3MP e2v camera features 61 fps, and the 5MP Aptina camera features 14 fps.



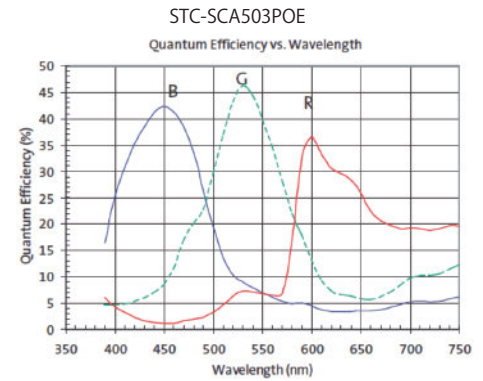
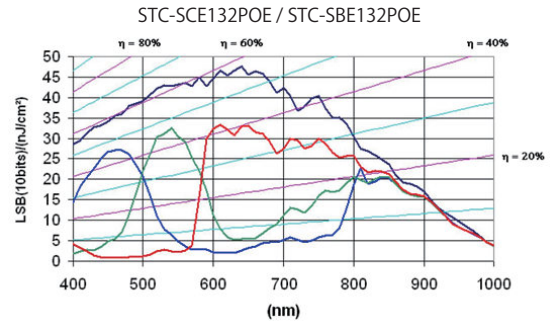
#### Product Features

- 1.3M  
1280(H) x 1024(V) 61fps  
5.3  $\mu\text{m}$  x 5.3  $\mu\text{m}$   
Global Shutter
- GigE Vision
- 5M  
2592(H) x 1944(V) 14fps  
2.2  $\mu\text{m}$  x 2.2  $\mu\text{m}$   
Rolling Shutter
- PoE / External Power

## Specifications

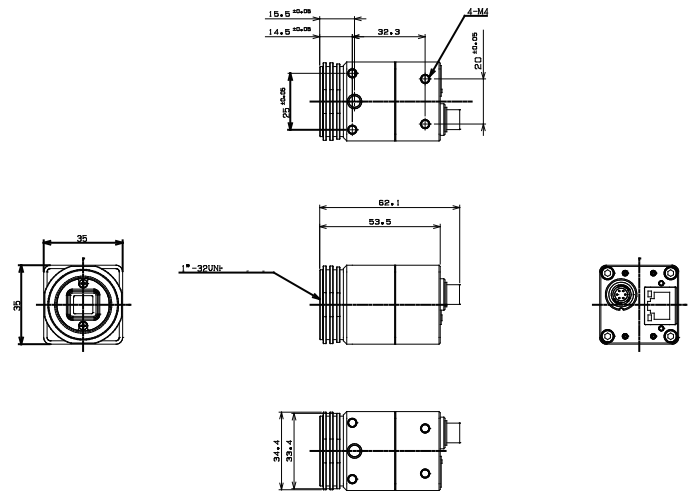
Models Numbers	: STC-SCE132POE (1.3M Color) STC-SBE132POE (1.3M Monochrome) STC-SCA503POE (5M Color) STC-SBA503POE (5M Monochrome)
Image Sensors	: 1/1.8" 1.3M CMOS (e2V EV76C560ACT-EQV) 1/2.5" 5M CMOS (Aptina MT9P031112ST)
Shutter Type	: Global Shutter — (1.3M) Rolling Shutter — (5M)
Effective Pixels	: 1280(H) x 1024 (V) (1.3M) 2592(H) x 1944 (V) (5M)
Pixel Cell Size	: 5.3 (H) x 5.3 (V) $\mu\text{m}$ (1.3M) 2.2 (H) x 2.2 (V) $\mu\text{m}$ (5M)
Frame Rate	: • 1.3M 61 fps (Full Resolution) 0.95571 ~ 61.0519 fps (Variable AOI) Maximum Frame Rate: 1272.32 fps (AOI 32 x 32) • 5M 14fps (Full Resolution) 6.8835 ~ 14 fps (Variable AOI) Maximum Frame Rate: 366 fps (AOI 32 x 32)
Noise Levels	: 8 Bit Output TBD digit or less (Gain 0 dB) 10 Bit Output TBD digit or less (Gain 0 dB)
Min. Illumination	: TBD Lux at F1.2 (Color) TBD Lux at F1.2 (Monochrome)
Video Format	: • 1.3M RGB8bit, RAW8bit/10bit, BayerRG10Packed (Color) RAW8bit/10bit, Mono10Packed (Monochrome) • 5M BGR8bit, RAW8bit/10bit/12bit, BayerRG10Packed/12Packed (Color) RAW8bit/10bit/12bit (Monochrome)
Interface	: IEEE802.3 (1000BASE-T)
Protocol	: GigE Vision® 1.2 and GenICam™ 2.0 compliant
Exposure Time	: 10 $\mu\text{sec}$ ~ 1,000,719 $\mu\text{sec}$ (1.3M) 32 $\mu\text{sec}$ ~ 16,777,215 $\mu\text{sec}$ (5M)
ALC	: Auto Shutter / Auto Gain
Digital Gain	: 1 ~ 2.99 dB
Analog Gain	: 1 ~ 1.859 dB (1.3M) 1 ~ 7.875 dB (5M)
Gamma	: Gamma = 1.0 / read-write
White Balance	: Auto, Manual, Push to Set White Balance (Color)
Operating Mode	: Edge Preset Trigger / Pulse Width Trigger
Input / Output	: 1 Input (opt isolated) / 2 Output (open collector)
Input Voltage	: +10.8 ~ +26.4 Vdc Power Over Ethernet (IEEE802.3af compliant)
Dimensions	: 35 (W) x 35 (H) x 54.3(D) mm (1.3M Color) 35 (W) x 35 (H) x 53.5(D) mm (1.3M Monochrome, 5M)
Optical Filter	: IR Cut Filter (Color)
Lens Mount	: C Mount
External Connector	: RJ45 Connector
I/O Connector	: HR10A-7R-6PB (Hirose) or equivalent
Mounting	: 1/4" Camera mount holes on the top and bottom
M4 Mounting Holes	: 4 each on the top and bottom, 2 each on both sides
Weight	: Approx. 100g
Compliance	: RoHS Compliant

## Spectral Sensitivity



## Dimensions

STC-SBE132POE / STC-SCA503POE / STC-SBA503POE



※Specifications are subject to change without notice.

## 2.3MP GigE Vision Camera CMOS Global Shutter



High Performance 2.3MP CMOS

# STC-SBS231POE 【Mono】

# STC-SCS231POE 【Color】

Sentech has released the brand new 2.3 MP GigE Vision camera. This camera features the highly anticipated Sony Pregius Sensor. Featuring a 2.3 MP Sensor, 41 FPS, and all the features of the Pregius Sensor, this camera is an extremely high performing camera with an affordable price.



**Pregius**



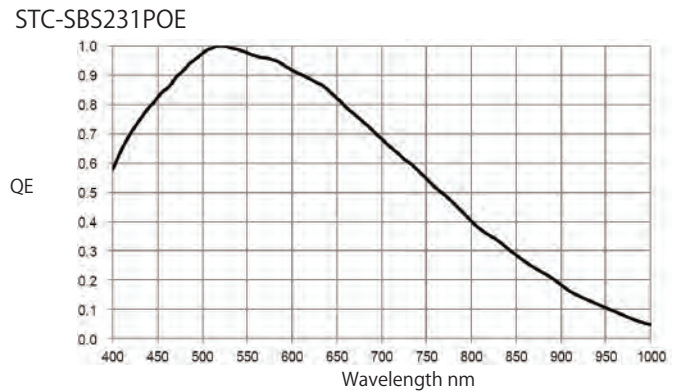
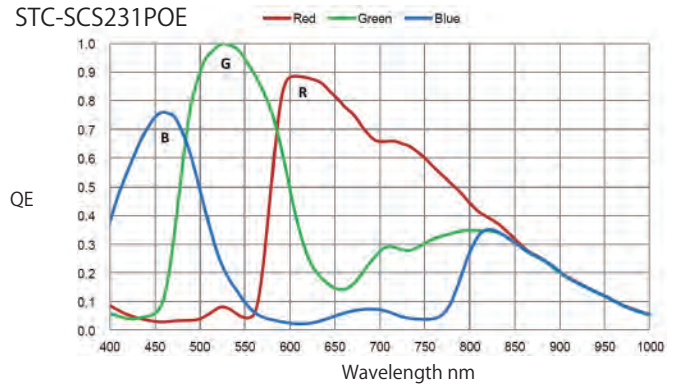
### Features

- 1920 (H) x 1200 (V)
- 5.86  $\mu\text{m}$  x 5.86  $\mu\text{m}$
- 41.6fps
- 1/1.2" Sensor
- GigE Vision Compliant
- Global Shutter
- PoE / 6 Pin Connector
- 35 x 35 x 53.4 mm (Excluding connectors)

## Specifications

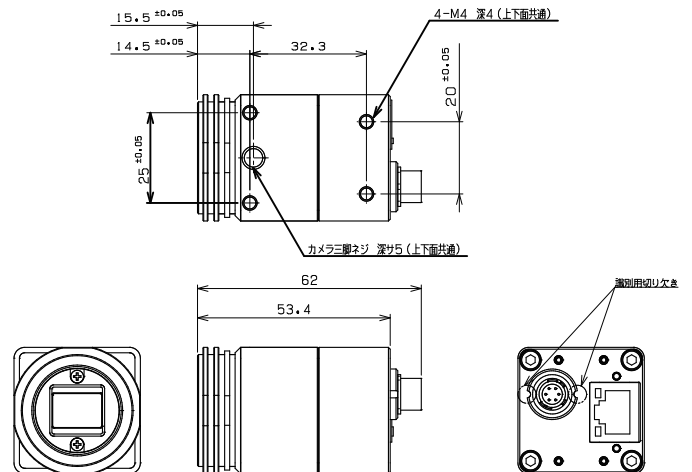
Product Name	: STC-SCS231POE (Color) STC-SBS231POE (Mono)
Imager	: 1/1.2" CMOS (SONY IMX249)
Shutter Type	: Global Shutter
Effective Pixels	: 1920 (H) x 1200 (V)
Cell Size	: 5.86 (H) x 5.86 (V) $\mu\text{m}$
Scanning Method	: Progressive
Scan Mode	: Full Scan
Frame Rate	: 41.6fps (8bit / 10bit) 32.4fps (12bit)
Video Output	: 8/10/12 bit Raw Data、RGB 8 bit (Color) 8/10/12 bit Raw Data (Mono)
S/N Ratio	: 1.3 digit 以下 at 8 bit (Gain 0 dB)
Sensitivity (Typ.)	: 1 Lux 以下 at F1.2 (Color) 4.8 Lux at F1.2 (Mono)
ALC	: Auto Shutter / Auto Gain / Manual
Electronic Shutter	: 10 $\mu\text{sec}$ ~ 16,777,215 $\mu\text{sec}$
Gain	: 0 ~ 24dB
ROI	: Supported
Binning	: Not Supported
Decimation	: Supported
Mirror Image	: Mirror / Upside-Down / Up, Down, Left, Right Reversal
Pixel Defect	: Supported (Up to 60 pixels)
Correction	
White Balance	: Auto / Push-to-Set / Manual (Color only)
Operating Mode	: Free-run / Edge Preset Trigger / Pulse Width Trigger
Interface	: IEEE802.3 (1000BASE-T)
Protocol	: GigE Vision <sup>®</sup> 1.2 and GenCam <sup>™</sup> 1.4 compliant
Gamma	: 1.0 (writeable gamma table)
Color Interpolation	: Supported (Color only)
Communication	: Ethernet port via UART
I / O Connector	: 1 input (opt isolated) / 2 output (3.3V LVTTTL)
Input Voltage	: +10.8 ~ +26.4 Vdc
Consumption	: TBD
Dimensions	: 35 (W) x 35 (H) x 53.7(D) mm (Color - excluding connectors) 35 (W) x 35 (H) x 53.4(D) mm (Mono - excluding connectors)
Optical Filter	: IR Cut Filter (Color only)
Lens Mount	: C Mount
External Connector	: RJ45 connector
Power Connector	: HR10A-7R-6PB (Hirose) or equivalent
Mounting	: 1/4" tripod mounting screw holes (one on the upper and lower surfaces)
M4 Screw Holes	: 4 each in upper and lower surfaces, two on both sides.
Weight	: Approx. 100g
Compliance	: RoHS Compliant

## Spectral Response



## Drawings

STC-SBS231POE



※ Pregius is a trademark of the Sony Corporation.

※ Specifications are subject to change without notice.

## GigE POE, Sony CMOS 2.3MP, Color & Mono Progressive

# GigE

### GigE POE Sony CMOS Cameras

STC-SBS241POE 【Mono】      STC-SCS241POE 【Color】

Sentech is releasing a brand new GigE Vision, 2.3MP color and monochrome GigE Vision cameras. The STC-SCS241POE and STC-SBS241POE features 165 FPS, and a dazzling 2.3MP resolution. Utilizing CMOS Global Shutter, these camera are capable of capturing moving objects without any motion blur. By utilizing the GigE Vision interface, speed and power have never been easier to use.



**GigE**<sup>™</sup>  
VISION

#### Features

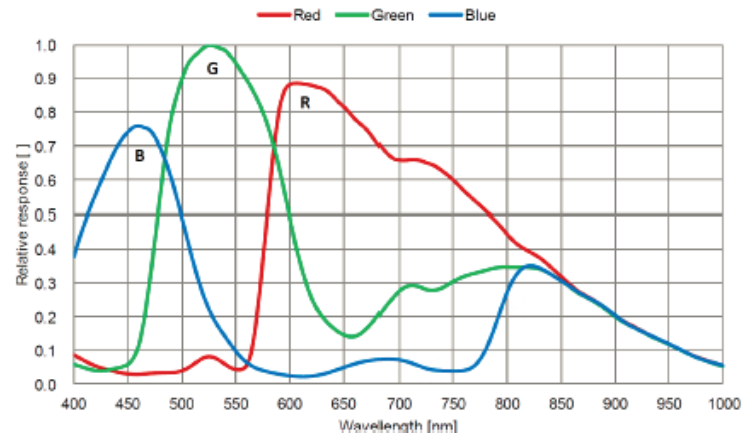
- Sony 1/1.2 Progressive CMOS
- 2.35 MP Resolution
- 165 FPS
- 1920 (H) x 1200 (V)
- GigE Vision POE
- Global Shutter



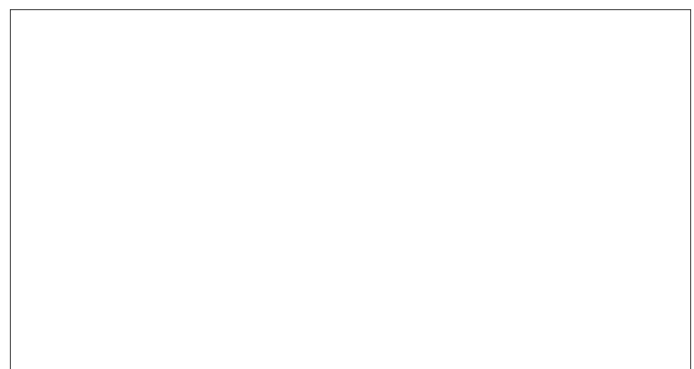
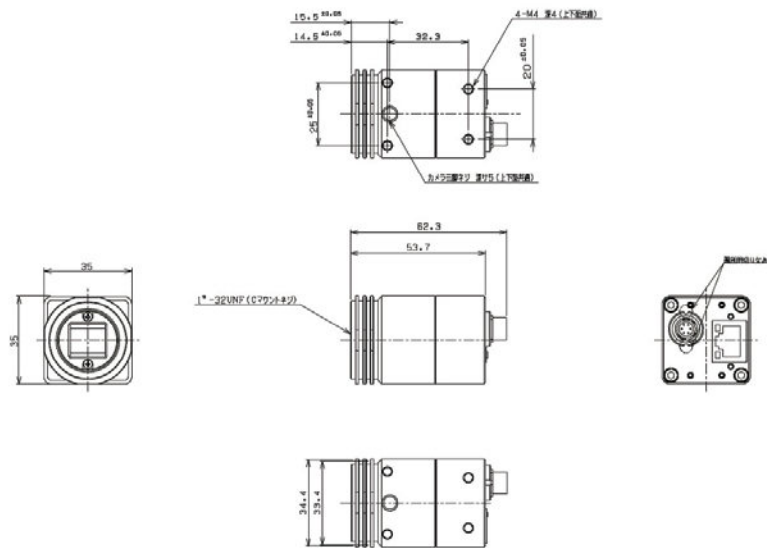
## Specifications

Model Numbers	: STC-SCS241POE (Color) STC-SBS241POE (Monochrome)
Image Sensor	: 1/1.2" 2.3 MP Color CMOS (Sony: IMX174) 1/1.2" 2.3 MP Monochrome CMOS (Sony: IMX174)
Shutter Type	: Global Shutter
Active Picture Element	: 1920 (H) X 1200 (V)
Cell Size	: 5.86 (H) x 5/86 (V) $\mu$
Scanning System	: Progressive
Scanning mode	: Full scanning (Full resolution) / ROI
Frame Rate	: 45 Hz at full resolution Maximum frame rate is 1628.29 Hz when ROI setting is 16 x 2
ADC Bit Depth	: 12bit
Video Output	:
- Color:	8/10/12 bit Raw, BayerGR8, BayerGR10, BayerGR10Packed, BayerGR12, BayerGR12Packed, RGB8Packed (Default: 8bit Raw)
- Monochrome:	8/10/12 bit Raw (Default: 8bit Raw)
Noise Level	:
- @ 8 Bit Output	<= 1.3 Digit (Gain 0 dB)
- @ 10 Bit Output	<= 5.5 Digit (Gain 0 dB)
- @ 12 Bit Output	<= 22 Digit (gain 0 dB)
Sensitivity	: TBD
Minimum Scene Illumination	: TBD
ALC	: Auto shutter / Auto gain (AGC) / Manual (Default: Auto shutter OFF, AGC OFF)
Electronic Shutter	: 30 useconds to 16,777,215 useconds
Interface	: PoE: IEEE802.3af CLASS2 (1000BASE-T)
Protocol	: GigE Vision® 1.2 and GenICam™ 2.0 Compliant
Gain	: Analog: 0 to 24 dB (Default: 0dB) Digital: 0 to 6 dB (Default: 0dB)
Gamma	: Gamma 1.0 or uploadable gamma table (Default: 1.0)
Decimation Function	: Individual x2 Horizontal, Vertical decimation
Mirror Image	: Hor. / Ver. / Horizontal and vertical / Off (Default: Off)
White Balance	:
- Color	Auto / Manual / Push to Set (Default: Manual)
- Monochrome	N/A
Operating Mode	: Free-run / Edge preset trigger / Pulse width trigger (Default: Free-run)
Power	:
- Input Voltage	: +10.8 to +26.4 Vdc via power-I/O connector or POE (Power-I/O connector power supply is prioritized.)
- Consumption	: 12V: 2.9W / 2.8W, PoE: 3.3W / 3.1W
Dimensions	: 35 (H) x 35 (H) x 53.4 (D) mm (excluding connectors)
Lens Mount	: C Mount
Weight	: Approximately 100 g
RoHS Compliance	: RoHS Compliant

## Spectral Sensivity



## Dimensions



※Specifications are subject to change without notice.