

2MP/4MP/12MP Camera Link 180 ~ 340fps, Rolling Shutter



Camera Link CMOS Cameras

STC-CMB2MCL 【Mono】	STC-CMB4MCL 【Color】
STC-CMB4MCL 【Mono】	STC-CMC4MCL 【Color】
STC-CMB120APCL 【Mono】	STC-CMC120APCL 【Color】

Sentech's High Speed Camera Link CMOSIS series includes 2, 4 and 12 MP resolution cameras. With 340, 180, or 60 FPS, these cameras are some of the fastest, most cost effective CMOSIS cameras on the market today. All the cameras features Global Shutter, Full Trigger Functionality, and a user programmable AOI.



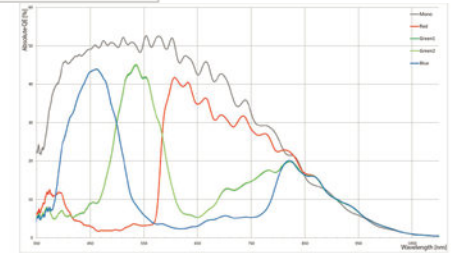
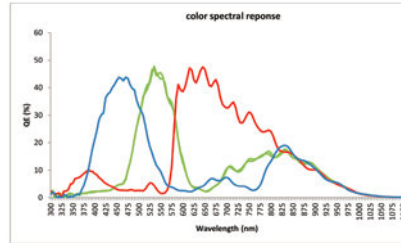
Features

- 4090 (H) x 3072 (V)
- 5.5 μm x 5.5 μm
- 1.76" CMOS Sensor
- 63.2 fps
- Global Shutter
- M42 Mount
- Camera Link PoCL
- 50 x 50 x 40.5 mm (excluding connector)

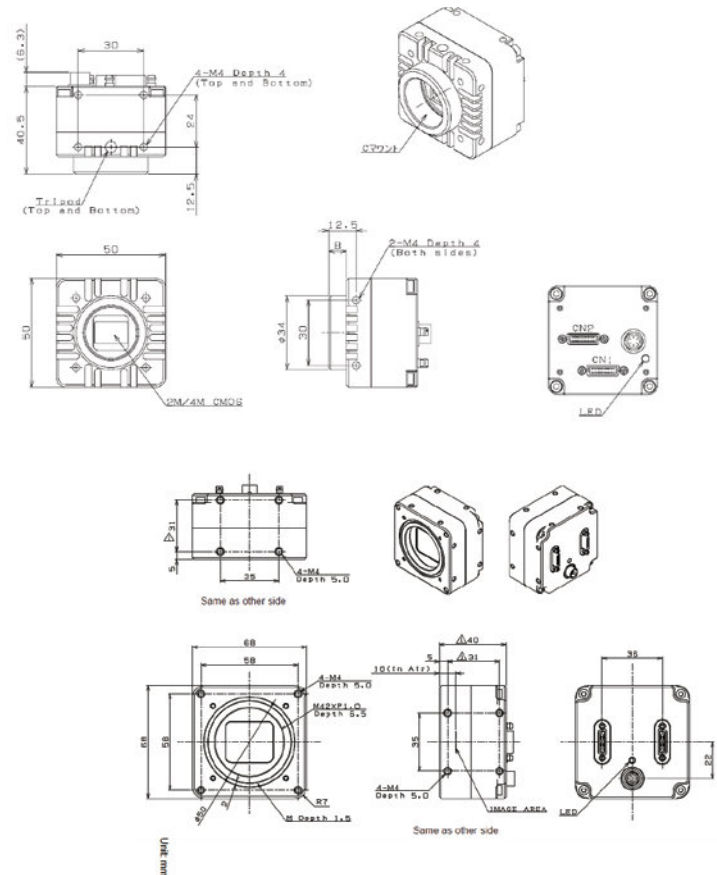
Specifications

Model Numbers	: STC-CMC2MCL (Color) STC-CMB2MCL (Monochrome) : STC-CMC4MCL (Color) STC-CMB4MCL (Monochrome) : STC-CMC120APCL (Color) * STC-CMB120APCL (Monochrome) *
Image Sensor	: 2/3" 2M (CMOSIS: CMV2000) : 1" 4M (CMOSIS: CMV4000) : 1.76" 12M (CMOSIS: CMV12000)
Shutter Type	: Global Shutter
Effective Pixels	: 2048 (H) x 1088 (V), 2048 (H) x 2048 (V) 4090 (H) x 3072 (V) *
Cell Size	: 5.5 (H) x 5.5 (V) μm
Scanning Mode	: Full Scanning, Variable AOI
Frame Rate	: 73.8 ~ 333 fps 39.7 ~ 179.2 fps 12.9 ~ 62.3 fps *
Sync System	: Internal
Video Output	: 8bit output: 10 Tap/Full/Medium/Base Configuration 10bit output: Medium/Base Configuration 12bit output: Medium/Base Configuration *
Minimum Scene Illumination	: 6 Lux at F1.2 (Color) : 2 Lux at F1.2 (Monochrome) : 1.4 Lux at F2.25 (Color), 10 Tap * : 1.2 Lux at F2.25 (Monochrome), 10 Tap *
Shutter Speed	: 45 seconds to 25.8 μ seconds (Variable at line) : 8,4,2 tap: 41 to 207.736, 42 to 16,777 * 10 tap: 41 to 173.140, 42 to 16,777 * 3 tap: 42 to 277.025, 43 to 16,777 *
Sync System	: Internal
Gain	: 1x to 4x 1x to 5x *
Gamma	: 1.0
Interface	: Camera Link connector: SDR connector x 2; Power / IO Connector: connector: HR10A-7R-6PB (Hirose) or equivalent
Operating Mode	: Free-run, Edge Preset Trigger (V-reset), Pulse Width Trigger (V-reset) Edge Preset Trigger (Reset), Pulse Width Trigger (V-Reset) *
Power	
- Input Voltage	: 12Vdc +/- 10% (PoCL Power/IO connector)
- Consumption	: Less than 4.5 W 10 Tap, Full Configuration: Less than 7.0 W, Base Configuration: Less than 5.2W *
Dimensions	: 50 (W) x 50 (H) x 33.40.5 (D) mm (excluding connectors) 68 (W) x 68 (H) x 33.40 (D) mm (excluding connectors) *
Optical Filter	: IR Cut Filter
Lens Mount	: C Mount M42 mount (F mount with adopter) FB = 10.0mm (in Air) *
Weight	: Approximately 140g, 305g *
RoHS	: RoHS Compliant

Spectral Sensivity



Dimensions



※Specifications are subject to change without notice.