

Turtle M/L/XL (IP54 – IP67) Enclosures with Peltier Climatisation

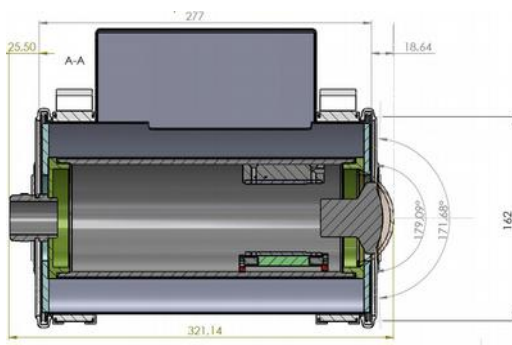


Optimal climate for cameras in outdoor use even under extreme temperature conditions

Technical Highlights:

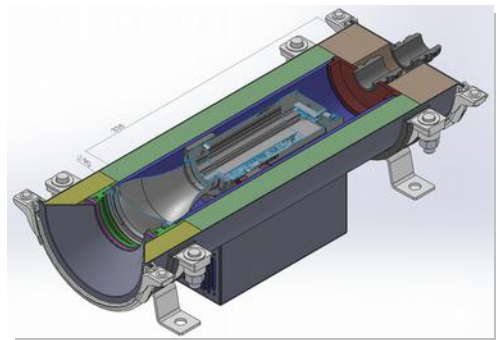
- **Robust build:** high grade stainless steel.
- **Camera is always kept within the permitted temperature range:** automatic heating- and cooling mode (threshold adjustable).
- **Permanent camera temperature control:** with emergency camera shut down for camera protection.
- **Designed for operation under extreme climatic conditions:** ambient temperatures up to 50°C and sun radiation intensity of up to 350W/ m².
- **High degree of protection:** Inner enclosure IP67, outer enclosure IP54 (fan)
- **Proven systems:** proofed over years in operation in the worlds' hottest deserts.
- **Simple, fully automatic operation:** only power supply required.
- **Good UV and ageing resistance of all sealing components:** thanks to EPDM seals and high temperature silicone cables.
- **Autonomous operation:** power supply by solar cells possible.
- **Application areas:** solar industry, surveillance, astronomy, and more.
- **Different front windows available:** 3" BK7 window or dome lid for fish eye lenses as well as Germanium windows for use with thermal imaging cameras.

Turtle M



Basler Ace with Fisheye lens

Turtle L



FLIR A300 with f=76mm lens

Turtle M/L/XL (IP54 – IP67) Enclosures with Peltier Climatisation

Technical details:

Enclosure type	Turtle M	Turtle L
Dimensions (w x h x l)	85 x 160 x 300mm	215 x 240 x 500mm
Maximal camera size	60 x 60 x 165mm (incl. connectors) max. 90mm lens diameter	70 x 70 x 335mm (incl. connectors) max. 90mm lens diameter
Protection class inside enclosure	IP54 (Nema 3)	IP54 (Nema 3)
Protection class outside enclosure	IP66/67 (Nema 4 and 6)	IP66/67 (Nema 4 and 6)
Cooling/heating power	Up to 45W/70W	Up to 60W/120W

Peltier enclosure types and accessories:

Product	Order Number
Turtle M Enclosure with up to 70W cooling and 90W heating power, BK7 window with 65mm aperture diameter, outer enclosure stainless steel, wall mounting brackets, 5m thermometer and power supply cable. <ul style="list-style-type: none"> External Peltier controller and power supply required. 	70.300.242
Turtle MD Enclosure with up to 70W cooling and 90W heating power, dome window for fisheye lenses, outer enclosure stainless steel, wall mounting brackets, 5m thermometer and power supply cable. <ul style="list-style-type: none"> External Peltier controller and power supply required. 	70.300.245
Turtle L Enclosure with up to 60W cooling and 90W heating power, 3" BK7 front window, outer enclosure stainless steel, wall mounting brackets, 5m thermometer and power supply cable. <ul style="list-style-type: none"> External Peltier controller and power supply required. 	70.300.250
Turtle LG Enclosure for thermal imaging cameras, 68mm aperture Germanium Window, up to 60W cooling and 90W heating power, outer enclosure stainless steel, wall mounting brackets, 5m thermometer and power supply cable. <ul style="list-style-type: none"> External Peltier controller and power supply required. 	70.300.260
Turtle XL Enclosure with peltier climatisation for large cameras with cross section up to 83x135mm (based on Mammoth enclosure). 3" BK7 front window, internal length 310mm, up to 80W cooling and 120W heating power. <ul style="list-style-type: none"> External Peltier controller and power supply required. 	70.300.290
Peltier Controller Din rail mount, 16A max. current, digital display, programmable heating- and cooling levels, temperature control with emergency shut down function, max. ambient temperature 60°C (5A current). <ul style="list-style-type: none"> External 24V/DC power supply required. 	70.300.270
Thermo Sensor Double NTC 10k with 5m high temperature cable.	70.300.280

© autoVimation 2015 subject to technical change without notice. No liability is accepted for possible errors.