

# Mammoth IP65 (Nema 4) Industrial Camera Enclosure

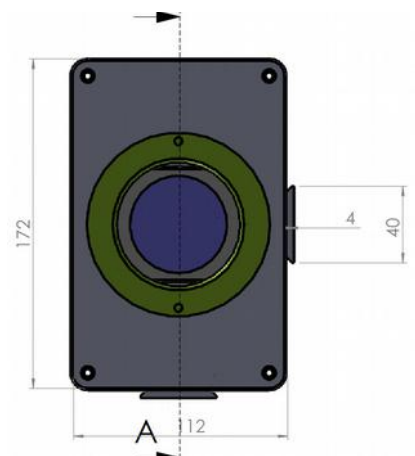
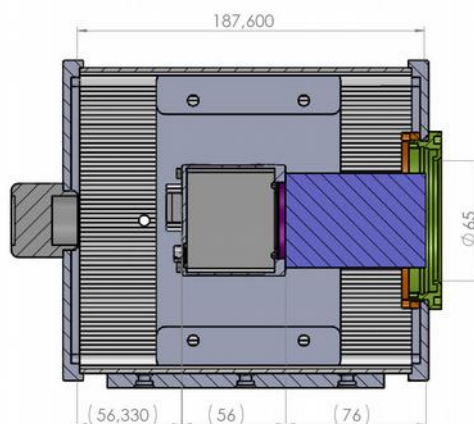
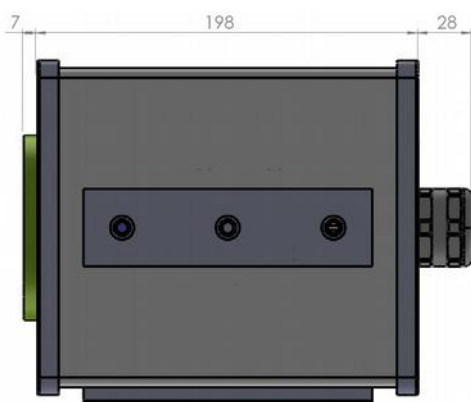


IP65 protection for larger cameras up to 90 x 150mm cross section

## Technical Highlights:

- **Robust built** aluminium extrusion profile.
- **Flexible camera positioning** lengthwise position
- **Dovetail profiles enable robust enclosure mounting** on 2 sides along the entire profile.
- **Assembly of ring lights with up to 78mm Ø** directly into 3" front lid possible.
- **Compatible with a large range of accessories:** various mounting and adjustment brackets, triangulation set-ups, water cooling, wind curtain, and more.
- **High chemical resistance** by using NBR and TPE sealing materials. Contact us with special requirements!
- **The mounting base plate is especially machined to your requirements (for instance for the Flir A600 series, Dalsa Spyder, etc.)**
- **Vibration proof camera mounting with good heat dissipation** with a new Quick-Lock / Heat-Guide mounting system.
- **Fits all cameras with a cross section of up to 90 x 150mm.**

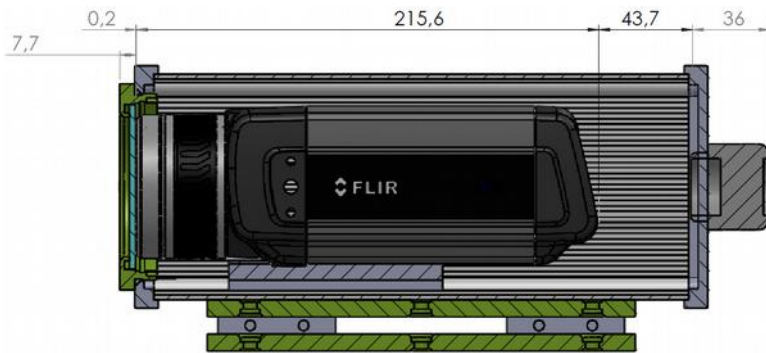
## Dimensions Mammoth M:



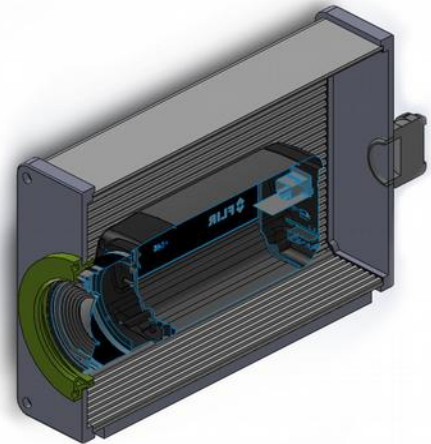
Mammoth M with Dalsa Spyder

# Mammoth IP65 (Nema 4) Industrial Camera Enclosure

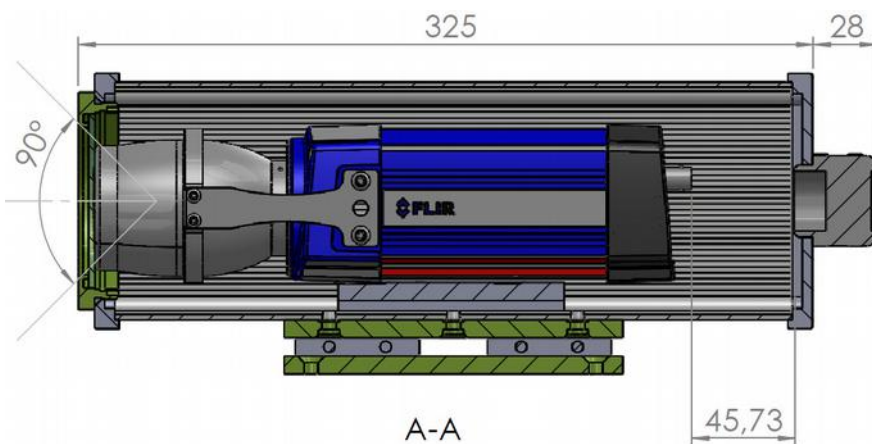
## Dimensions Mammoth L:



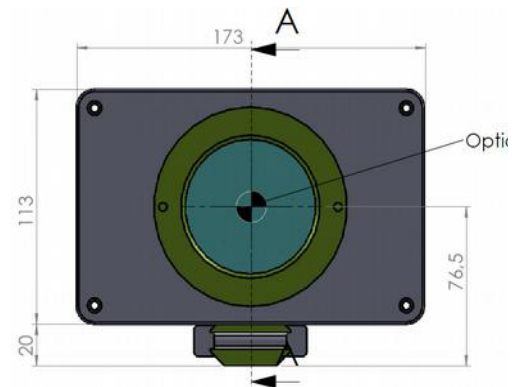
Mammoth L with Flir A600



## Dimensions Mammoth XL:



Mammoth XL with Flir A300 and 90° large lens



Front view with optical axis

## Order numbers:

Enclosure Type	Rear Wall	Order Number	Enclosure Type	Rear Wall	Order Number
Mammut S, 3" window	A, without PA tube	2X.X65.140	Mammut XL, 3" window	C	2X.X66.300
Mammut M, 3" window		2X.X65.180	Mammut L, 3" Germanium-window 8 -12nm, for Flir A600		2X.X68.250
Mammut L, 3" window		2X.X65.250	Mammut S, 3" window	D	2X.X67.140
Mammut XL, 3" window		2X.X65.300	Mammut M, 3" window		2X.X67.180
Mammut S, 3" window	C	2X.X66.140	Mammut L, 3" window		2X.X67.250
Mammut M, 3" window		2X.X66.180	Mammut XL, 3" window		2X.X67.300
Mammut L, 3" window		2X.X66.250			

Recommended Accessories for Mammoth Enclosures	Order Number
3" Germanium front window (if required and not already included as in 2X.X68.250)	20.000.018
Water cooling module base plate for mammoth enclosure	60.100.020
Mounting tool with 4mm pins for Orca front lids (please add to your first order)	90.000.004

© autoVimation 2015 subject to change without notice. No liability is accepted for possible errors.