

Feuersalamander IP67 (Nema 6) Stainless Steel Enclosure



IP67 protection of compact machine vision cameras up to 40 x 40mm cross section
in V4A stainless steel hygienic design

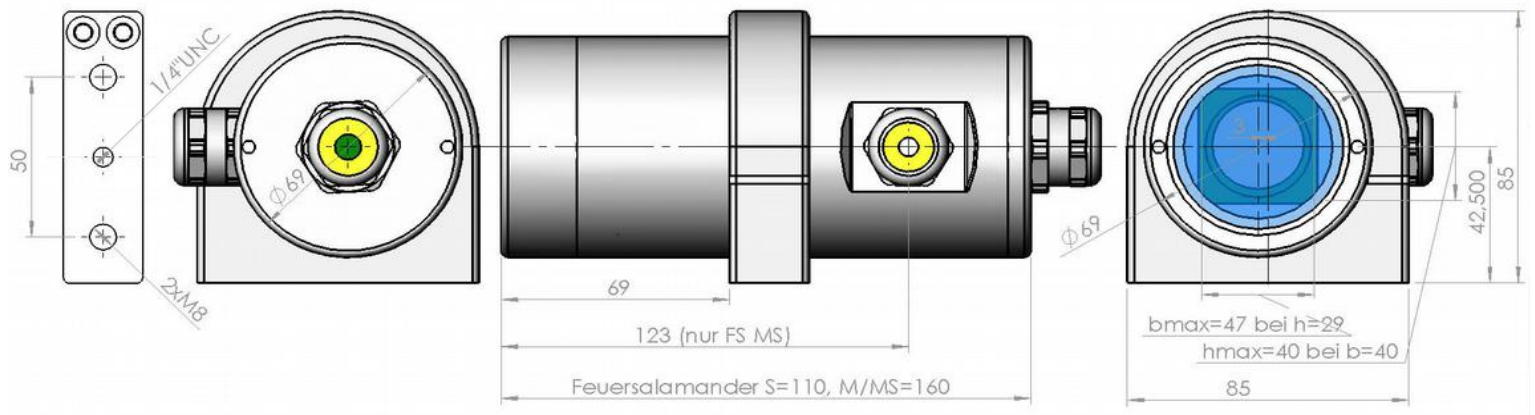
Technical Highlights:

- **High grade electro-polished stainless steel AISI 316L:** for demanding applications in food- and pharmaceutical industries.
- **Small form factor:** only 69mm diameter.
- **Flexible camera positioning:** any angle and position.
- **Hygienic design:** avoiding corners and edges, hidden mounting threads, FDA approved seal for clamping gap, flush front window, hygiene cable gland available on request (see image above).
- **High chemical resistance of all seals:** by using silicone, Viton and TPE seal material. Contact us for any special requirements!
- **Vibration proof camera mount:** by means of autoVimation's patented Quick-Lock / Heat- Guide camera mount.
- **Excellent camera heat dissipation:** despite the bad heat conductivity of stainless steel, the outer housing still cools the camera by up to 9° C (measurement with installed Basler Ace at room temperature).
- **Fits all cameras from 29 to 40mm height:** cameras with 29mm height can be up to 47mm wide, down to 40mm width with 40mm height.

Degree of protection	Dimensions	Material details
<ul style="list-style-type: none"> ■ IP67 - Protection from occasional submersion (Nema 6) <ul style="list-style-type: none"> ○ Up to 1h duration ○ Up to 1m water depth 	<ul style="list-style-type: none"> ■ For up to 40 x 40mm cross section ■ Feuersalamander S, length: 110 ■ Feuersalamander M, length: 160 ■ Clear aperture with 2" window: 45mm Ø 	<ul style="list-style-type: none"> ■ Enclosure: stainless steel AISI 316L ■ Window: BK7, double-sided broadband anti-reflective coating ■ Window seal: EPDM ■ Enclosure seal: EPDM (Viton at request) ■ Cable gland seal: TPE (TPEV at request)

Feuersalamander IP67 (Nema 6) Stainless Steel Enclosure

Dimensions:

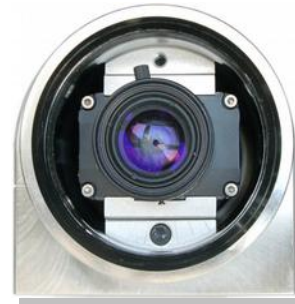
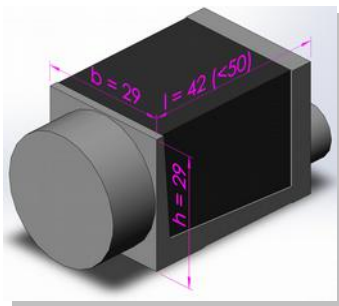


Mount

Rear wall C

Feuersalamander

Front lid



Relevant dimensions: only the length of the rectangular camera body is relevant for ordering the right enclosure

The patented Quicklock / Heat guide assembly system promises easy installation and excellent heat dissipation

Order number key:

Example: Feuersalamander M for Basler Ace (h x w x l = 29 x 29 x 42mm):

Order Number	2	0	.3	30	.160
	↓	↓	↓	↓	↓
Enclosure	Camera height		Camera length smaller than	Cable exit	Length
	29: 0	34: 5			
	30: 1	35: 6	50mm: 3	back: 30	S: 110
	31: 2	36: 7	74mm: 5	side: 31	M/MS: 160
	32: 3	38: 8	92mm: 7		
	33: 4	40: 9			

Please order separately:

Accessory	Order Number	Accessory	Order Number
Mount for Feuersalamander	5.120.000	Assembly tool for front lid (for first order)	90.000.004

© autoVimation 2015 subject to change without notice. No liability is accepted for possible errors.