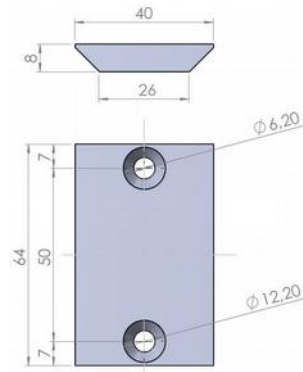
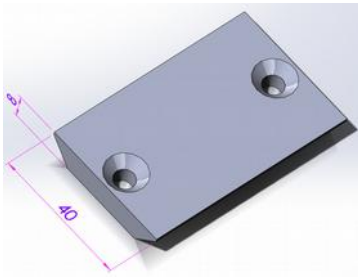


Adapter-Plates to match autoVimation's dovetail products or any standard profile

Adapter plates allow to mount dovetail enclosures or profiles on any standard T-slot profile or machine frame. It can also be used to attach 3rd party equipment to autoVimation's products. autoVimation also manufactures application-specific adapter plates.

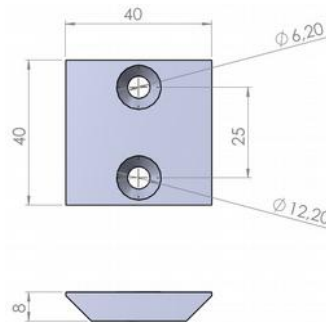
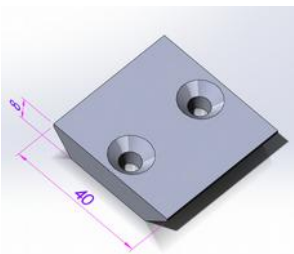
Parallel adapter plate 64mm for 2x csk screws M6



Order Number:
6.041.141

Standard adapter plate, base for a variety of Mounting Kits.

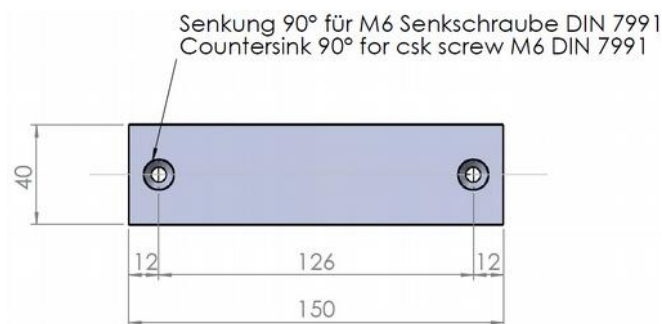
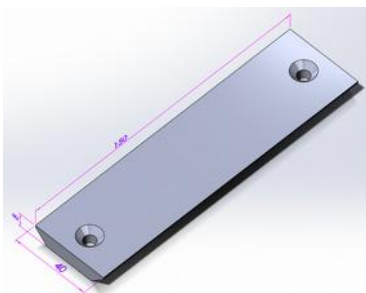
Parallel adapter plate 40mm for 2x M6 csk screws



Order Number:
6.041.142

Shorter adapter-plate for e.g. laser enclosures.

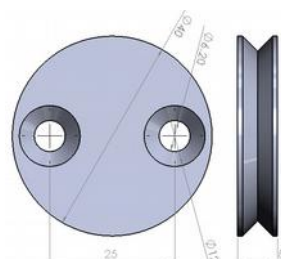
Parallel adapter plate 150mm for 2x M6 csk screws



Order Number:
6.041.144

Longer Adapter-plate for e.g. Mammoth enclosures.

Rotational mounting plate for 2x M6 csk screws

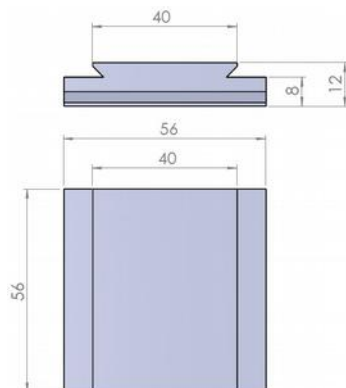
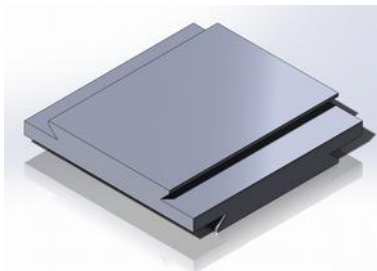


Order Number:
6.042.388

Rotary disk, base for Mounting Kit 6 and 9.

Adapter-Plates to match autoVimation's dovetail products or any standard profile

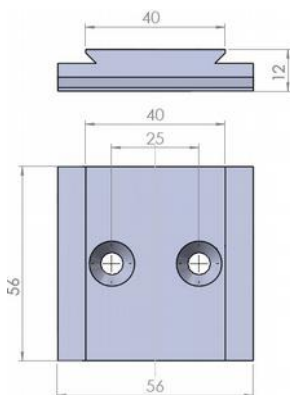
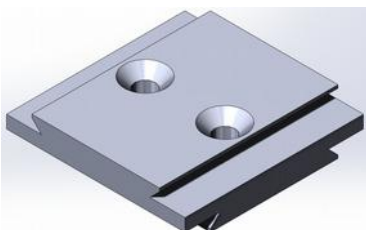
90° mounting plate



Order Number:
6.046.199

Connecting profiles in a right angle.

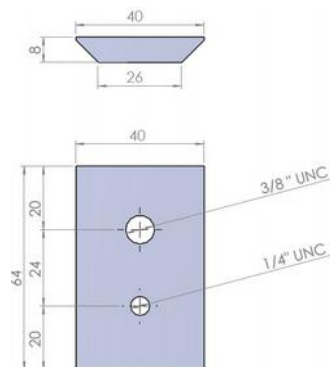
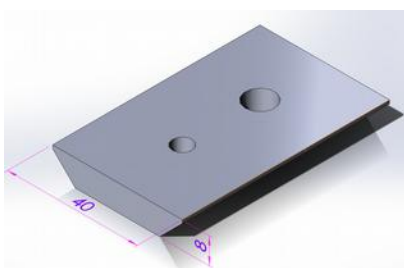
90° mounting plate for 2x M6 csk screws



Order Number:
6.046.200

Connecting enclosures or profiles in a right angle to a T-Slot profile.

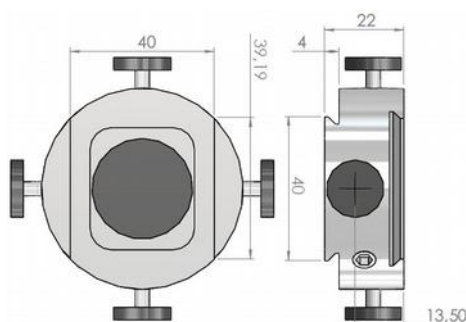
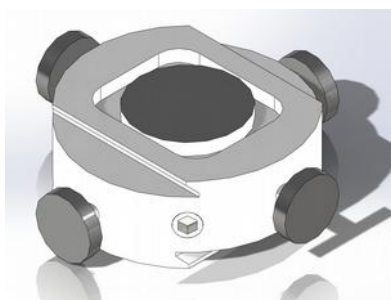
Tripod mounting plate 1/4" and 3/8"



Order Number:
6.041.935

Adapter plate to mount enclosures on camera tripods.

Fine adjustment table with knurled head screws



Order Number:
6.045.836

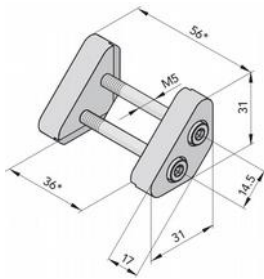
Fine adjustment in two directions +/- 3mm, the locking mechanism is independent from the adjustment mechanism, so no misalignment can occur during fixation.

Angles to enable a robust connection between various components



autoVimation angles in different sizes combine profiles, enclosures, walls and other components for a robust long-live connection

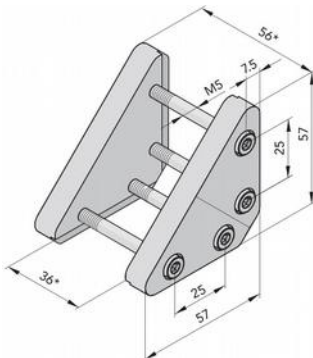
Angle small



Order Number:
10.044.607

Angle for light mechanical stress.

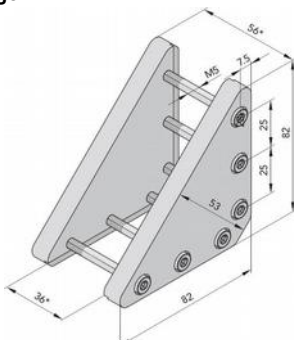
Angle middle



Order Number:
10.059.296

Angle for medium mechanical stress.

Angle large

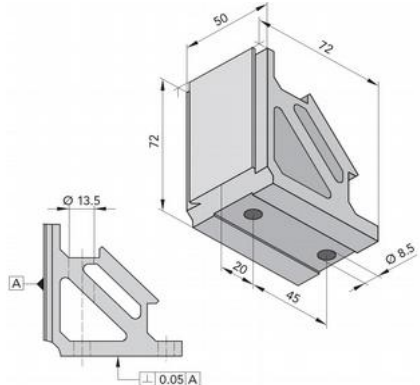


Order Number:
10.059.297

Massive angle also for heavy mechanical stress.

Angles to enable a robust connection between various components

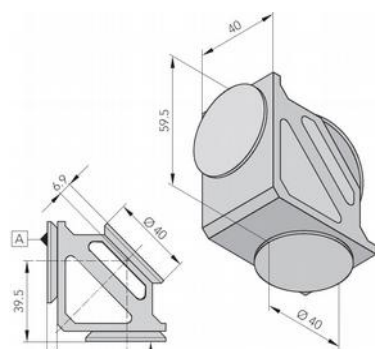
Adapter angle dovetail / M8



Order Number:
10.045.715

Adapter angle – with M8 screws mounts directly to the floor, machine or T-slot profile.

Rotational adjustment angle



Order Number:
10.045.852

Multi-axe adjustable rotation angle for maximum flexibility.

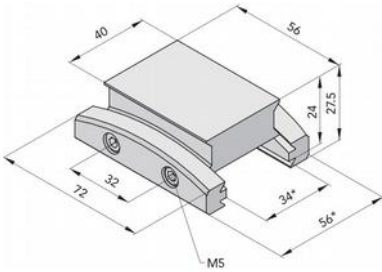


© autoVimation 2015 subject to change without notice. No liability is accepted for possible errors.

Mounting Brackets to connect precisely to enclosures, adapters or profiles

These mounting brackets allow precise and vibration proof connection of enclosures to adapter plates or directly to dovetail profiles. Combining several mounting brackets can meet any adjustment requirements of camera systems.

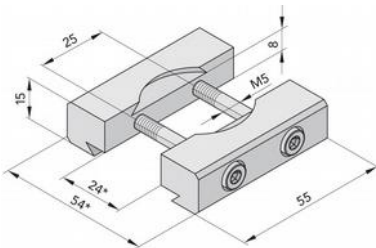
Tilt adjustment bracket
+/- 8° deg.



Order Number:
10.054.638

Allows robust tilt adjustment of the camera enclosure. Part of mounting kit 7 + 8

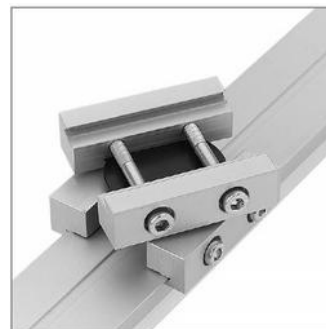
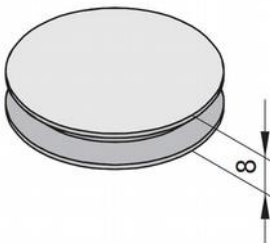
Rotational mounting bracket



Order Number:
10.040.202

Allows accurate 360° rotation of dovetail profiles. Strongly resists rotation once tightened in position.

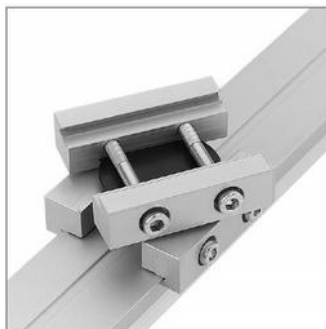
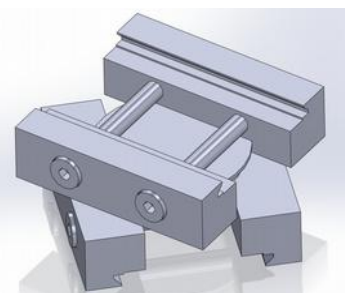
Rotational disc without holes



Order Number:
10.040.857

Required for rotational double joint – see next article.

Rotational double joint

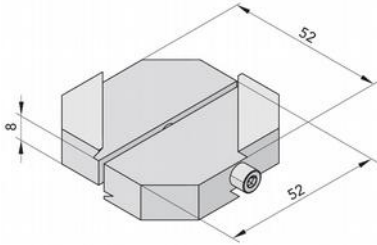


Order Number:
10.040.860

Required for rotational connection of 2 dovetail profiles (for instance Orca enclosure on triangulation profile (16x40 double sided dovetail profile))

Mounting Brackets to connect precisely to enclosures, adapters or profiles

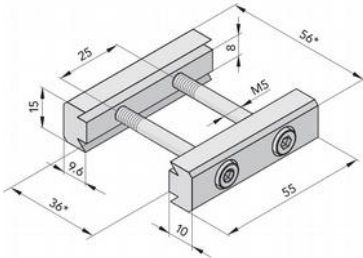
Orthogonal bracket



Order Number:
10.044.984

Accurate vertical connection of 2 dovetail profiles. Builds a slim and simple to adjust camera bridge with 16x40 profiles.

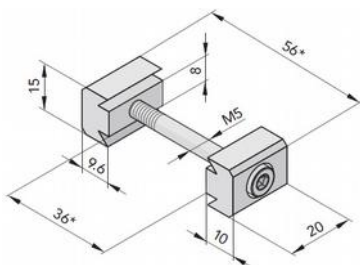
Parallel slim bracket



Order Number:
10.040.201

Most widely used mounting bracket. Strong parallel connection of dovetail profiles, angles, enclosures, etc.

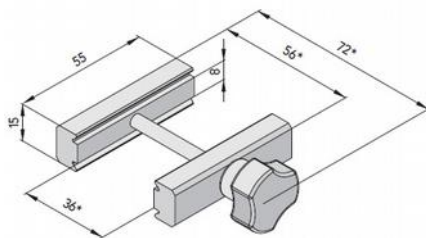
Parallel slim bracket with hand knob



Order Number:
10.054.598

Allows tool free adjustment of components. suitable for smaller loads.

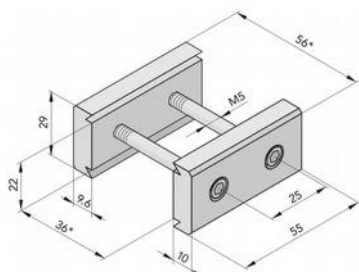
Parallel slim bracket short



Order Number:
10.041.190

Parallel connection of lighter objects (for instance laser enclosure).

Parallel wide bracket

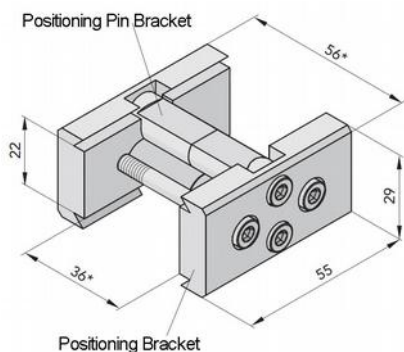


Order Number:
10.045.942

Parallel connection with wider distance (dovetails 22mm apart instead of 8mm).

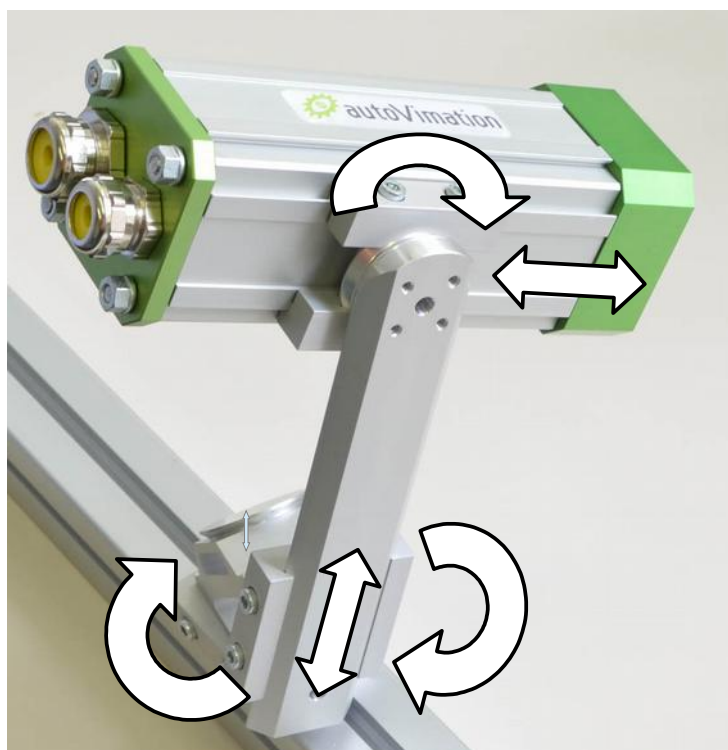
Mounting Brackets to connect precisely to enclosures, adapters or profiles

Repeatable positioning bracket with two position pins



Order Number:
10.044.421

This bracket with 2x positioning pin brackets allows accurate repositioning of camera enclosures after their removal. Also allows to use cameras at several machines in turns without the need for camera readjustment!

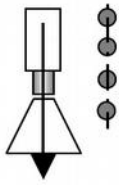


As many adjustment options as needed - thanks to the modular use of mounting brackets

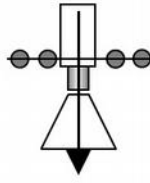
© autoVimation 2015 subject to technical change without notice. No liability is accepted for possible errors.

Mounting Kits for easy installation and attachment of autoVimation's enclosures

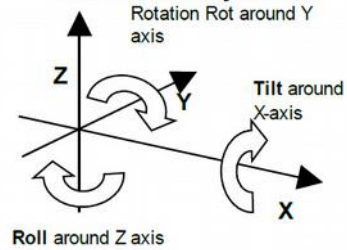
Parallel mounting pattern:



Right angle mounting pattern:



Co-ordinate System:

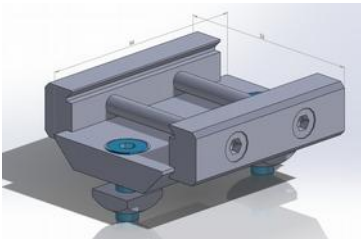


Common examples

Technical Highlights:

- **Easy assembly and adjustment:** autoVimation's dovetail enclosures match on any machine or T-slot profile. It consists of one adapter plate and at least one mounting bracket.
- **Extremely robust:** resist a displacement force of up to 3000N!
- **Fully compatible:** all adapter plates can be combined with mounting brackets, angles and profiles.
- **Simple image rotation:** thanks to enclosure mounts on each side.
- **Simple working distance adjustment:** the brackets can hold the enclosure anywhere along its profile.
- **M6 csk screws and 13x13mm slot nuts:** provided with each mounting kit.

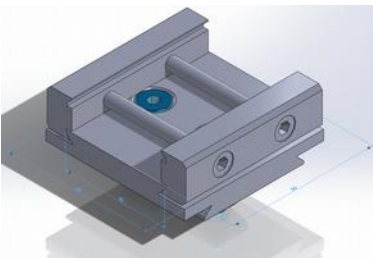
Mounting Kit 1



Order Number:
5.010.000

Parallel mounting pattern, working distance adjustment, 90° image rotation.

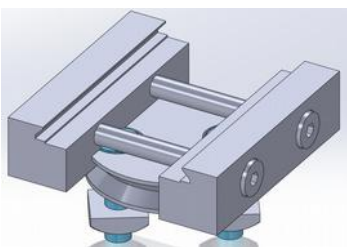
Mounting Kit 2



Order Number:
5.020.000

Vertical mounting pattern, working distance adjustment, 90° image rotation.

Mounting Kit 6

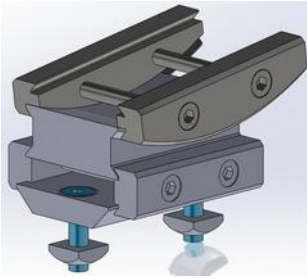


Order Number:
5.060.000

360° rotation, working distance adjustment, 90° image rotation.

Mounting Kits for easy installation and attachment of autoVimation's enclosures

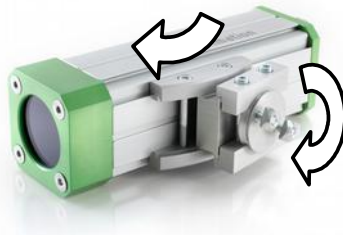
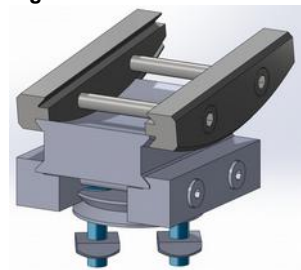
Mounting Kit 7



Order Number:
5.070.000

+/- 8° tilt adjustment, working distance adjustment, 90° image rotation.

Mounting Kit 9



Order Number:
5.090.000

360° rotation and +/- 8° tilt adjustment, working distance adjustment, 90° image rotation.

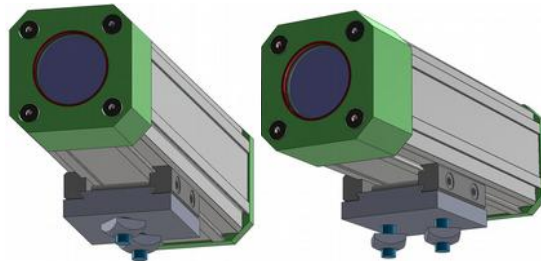
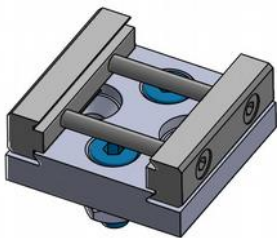
Mounting Kit 15



Order Number:
5.090.000

360° rotation + 360° tilt adjustment, working distance adjustment, 90° image rotation.

Mounting Kit 21



Only for the 30mm Colibri profile!

Order Number:
5.210.000

Parallel and vertical mounting pattern, working distance adjustment, 90° image rotation, economical.

Mounting bracket screws usually zinc plated steel, but also available in high grade stainless steel (V4A / AISI 316L).

© autoVimation 2015 subject to technical change without notice. No liability is accepted for possible errors.

Dovetail profiles for mounting machine vision systems

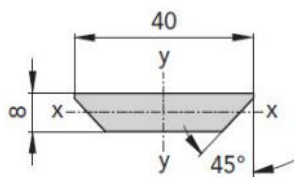


These profiles allow a simple integration of cameras, lights and other components into a machine.

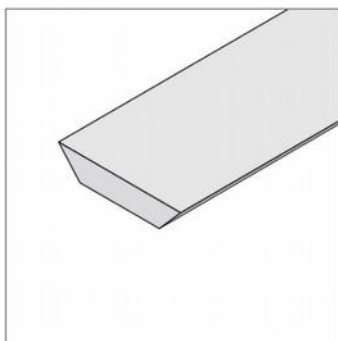
Technical Highlights:

- **Exactly:** more accurate than standard T-Slot profiles, straightness better than 0.5mm/m. Mounting clamps shift along a straight line, moving sliding blocks in a T-slot profile is not exactly.
- **In any desired length available:** up to the maximum length.
- **Universal:** for every application there is the appropriate profile.
- **Defined position:** Attaching camera enclosures with dovetail brackets.
- **Adaptable:** structures can be easily adjusted in height and width, without the need for machining of the profile is required.
- **Stressable:** by using mounting clamps - as well autoVimation's camera enclosures - your construction is immovable connected and resists a displacement force of up to 3000N!

8x40mm Dovetail Profile single sided, any length



Weight: 0.732 kg/m
Wx = 0.32 cm³ | Wy = 1.36 cm³

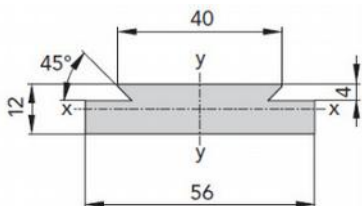


Adapter plates, light mounting arms

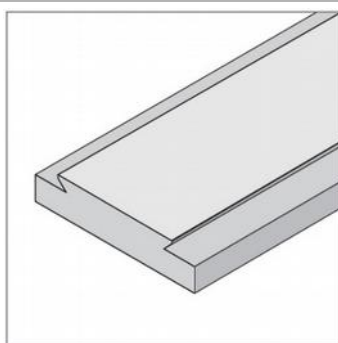
Length	Order Number
0.3m	1.010.300
0.5m	1.010.500
1m	1.011.000
2m	1.012.000
Individual length in mm	1.01X.XXX

Maximum length 2m

56x12 Dovetail Profile single sided wide / strong, any length



Weight: 0.73kg/m
Wx = 1.04 cm³ | Wy = 4.83 cm³



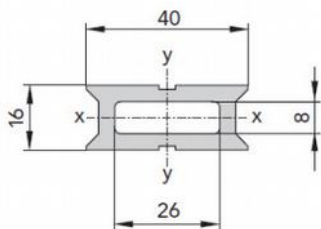
Adapter plates

Length	Order Number
0.3m	1.050.300
0.5m	1.050.500
1m	1.051.000
2m	1.052.000
Individual length in mm	1.05X.XXX

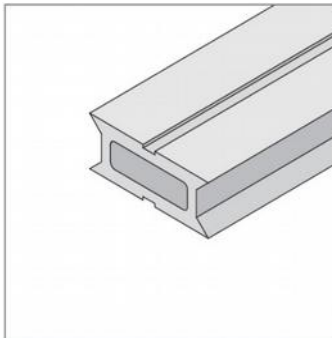
Maximum length 2m

Dovetail profiles for mounting machine vision systems

16x40 Dovetail Profile double sided, any length



Weight: 0.98 kg/m
 $W_x = 1.025 \text{ cm}^3$ | $W_y = 1.640 \text{ cm}^3$

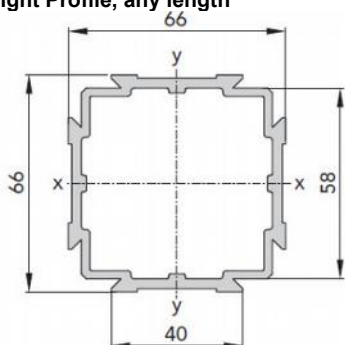


Length	Order Number
0.3m	1.020.300
0.5m	1.020.500
1m	1.021.000
2m	1.022.000
Individual length in mm	1.02X.XXX

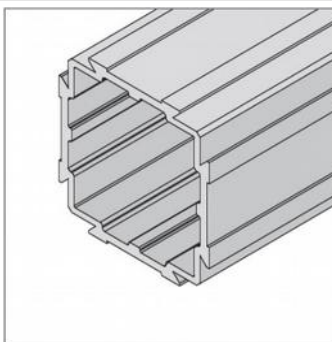
Maximum length 2m

Camera bridge

66x66 light Profile, any length



Weight: 2.186 kg/m
 $W_x = W_y = 13 \text{ cm}^3$

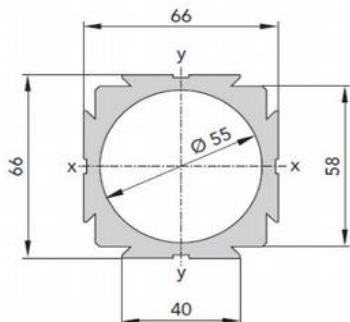


Length	Order Number
0.3m	1.030.300
0.5m	1.030.500
1m	1.031.000
2m	1.032.000
Individual length in mm	1.03X.XXX

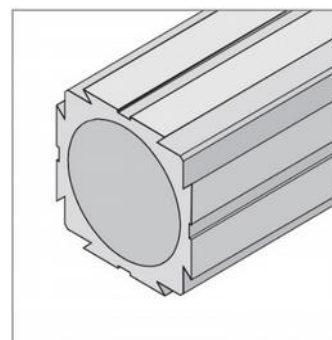
Maximum length 3m

Gecko enclosure profile Medium strength camera frame

66x66 stable Profile, any length



Weight: 3.99 kg/m
 $W_x = W_y = 23 \text{ cm}^3$

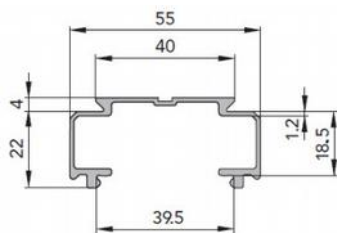


Length	Order Number
0.3m	1.040.300
0.5m	1.040.500
1m	1.041.000
2m	1.042.000
Individual length in mm	1.04X.XXX

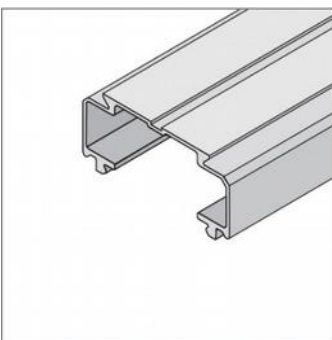
Maximum length 3m

Salamander enclosure profile Strong camera frame

Cable channel, snap on, any length



Weight: 0.549 kg/m



Length	Order Number
0.3m	1.080.300
0.5m	1.080.500
1m	1.081.000
2m	1.082.000
Individual length in mm	1.08X.XXX

Maximum length 2m

Cable channel Not suitable for high loads