

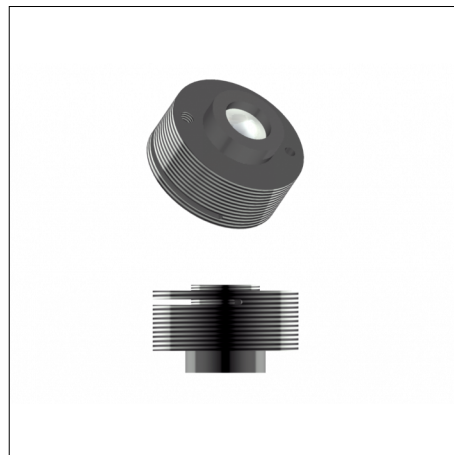
Entocentric compact lenses

vicotar®

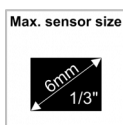
VCK series

Product features

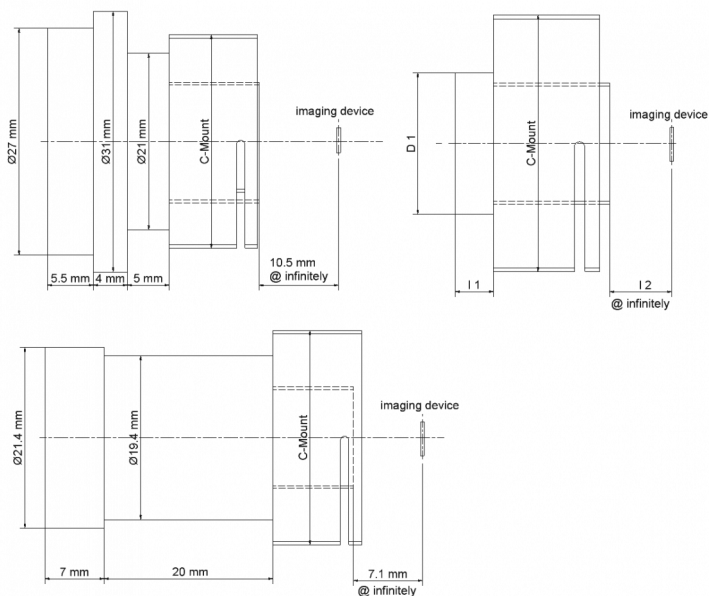
- Compact lenses with fixed focal length
- A wide range of lenses ($f = 2.1$ up to 25 mm)
- Application for matrix cameras up to sensor diagonal 6 mm
- Fisheye lens ($f = 2.1$ mm)
- Compactly design and very small weight (max. 25g)
- Fixed aperture
- Focus adjustable using an adapter
- C-mount (thread connection)



Options



Engineering drawing



Download Manual



Download CAD-File

*.stp

*.dwr

Entocentric compact lenses

vicotar®

VCK series

Properties

Optical properties

Spectral range 380...900nm / colour-corrected

Mechanical properties

Environmental temperature -10°C ... 50°C

Optical data

Name	Order no.	Focal length [mm]	F-number	Object angle for 1/2" sensor (hor. x vert.) [°]	Min. working distance [m]
VCK 1,8/2,1	2-10-280	2,1	1,8	128 × 90	0,2
VCK 2/2,5	2-10-281	2,5	2	113 × 77	0,2
VCK 2/2,8	2-10-282	2,8	2	100 × 74	0,2
VCK 2/3,6	2-10-283	3,6	2	81 × 62	0,2
VCK 2/4	2-10-284	4	2	74 × 56	0,2
VCK 2/6	2-10-285	6	2	49 × 37	0,2
VCK 2/8	2-10-286	8	2	35 × 27	0,2
VCK 2/10	2-10-287	10	2	26 × 22	0,2
VCK 2/12	2-10-290	12	2,0	21 × 14	0,2
VCK 2/16	2-10-288	16	2	15 × 12	0,2
VCK 2/25	2-10-289	25	2	10 × 7,8	0,4

Mechanical data

Name	Order no.	Diameter D1	Length L1	Length L2	Weight	Special features
VCK 1,8/2,1	2-10-280	see drawing	see drawing	see drawing	25 g	Fisheye
VCK 2/2,5	2-10-281	17 mm	5 mm	5,7 mm	16 g	Super wide angle
VCK 2/2,8	2-10-282	14 mm	4 mm	5,2 mm	16 g	Super wide angle
VCK 2/3,6	2-10-283	14 mm	3,5 mm	6,2 mm	16 g	Wide angle
VCK 2/4	2-10-284	14 mm	3,5 mm	5,5 mm	16 g	---
VCK 2/6	2-10-285	14 mm	4 mm	4,8 mm	16 g	---
VCK 2/8	2-10-286	14 mm	4 mm	5,7 mm	16 g	---
VCK 2/10	2-10-287	14 mm	4 mm	13 mm	16 g	Low distortion
VCK 2/12	2-10-290	13,9 mm	4 mm	6,9 mm	16 g	---
VCK 2/16	2-10-288	14 mm	3,5 mm	7 mm	16 g	Low distortion
VCK 2/25	2-10-289	see drawing	see drawing	see drawing	25 g	Low distortion