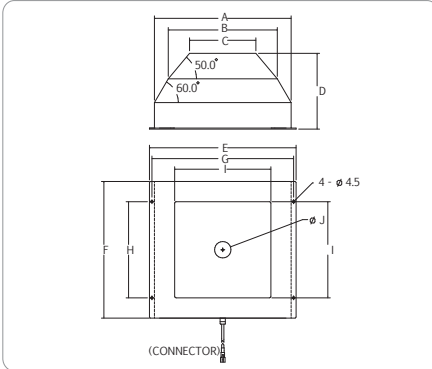
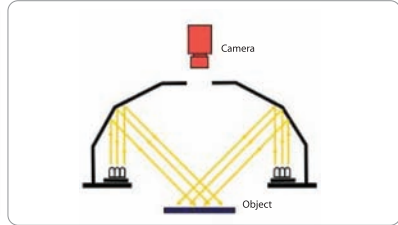
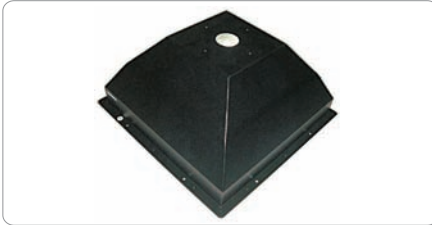


Indirect Illumination

IDQ SERIES - Indirect square illumination

IDQ series provide even and diffuses illumination over a square area. The illumination is able to provide excellent illumination for square or rectangular objects.

Application: crack, chip, stains and mark on edge of square or rectangular object.



Technical Specification:

- Color Red, Green, Blue and White
- 24V DC Input Power
- Continuous and Strobe Applications
- Compact Size
- Lighting Cable 500mm

Customize Lighting:

- Customize Sizes, Mounting requirements
- Color and Voltage Available
- Consult Technical Sales for More Information

Model	Dimensions (MM)										Color	Voltage / Watt	Current
	A	B	C	D	E	F	G	H	I	ØJ			
IDQ-00-100-1-X	180	144.2	85.5	102	200	180	190	100	100	35	● ● ○ ● ● ○	24V / 19.2W 24V / 19.2W	800mA 800mA
IDQ-00-190-1-X	270	216	131	150	290	270	280	190	190	35	● ● ○ ● ● ○	24V / 38.4W 24V / 38.4W	1600mA 1600mA
IDQ-00-300-1-X	412	370.5	193	132	452	412	432	200	318	50	● ● ○ ● ● ○	24V / 57.6W 24V / 57.6W	2400mA 2400mA

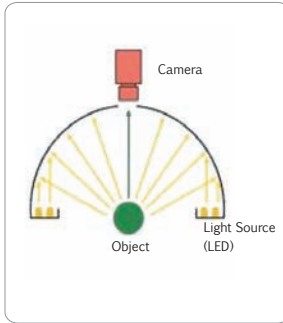
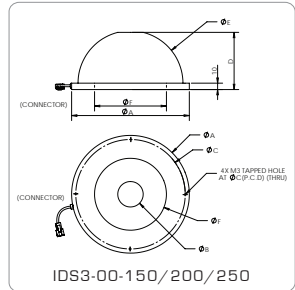
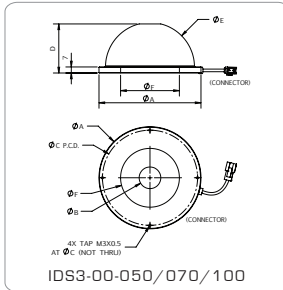
Indirect Illumination



IDS3 SERIES - Even illumination for all angles

IDS3 series shine from a conical surface providing illumination from all angles. The illumination is able to provide images without shadows.

Application: crack, chip, stains on circular or cylindrical objects, solder inspection and substrate inspection.



Technical Specification:

- Color Red, Green, Blue and White
- 24V DC Input Power
- Continuous and Strobe Applications
- Compact Size
- Lighting Cable 500mm

Customize Lighting:

- Customize Sizes, Mounting requirements
- Color and Voltage Available
- Consult Technical Sales for More Information

Model	Dimensions (MM)						Color	Voltage / Watt	Current
	ØA	ØB	ØC	D	ØE	ØF			
IDS3-00-050-1-X	68	10	60	33.8	53	25	<ul style="list-style-type: none"> ● 24V / 1.08W 45mA ● ○ 24V / 1.44W 60mA 		
IDS3-00-070-2-X	95	20	85	44.5	78	41	<ul style="list-style-type: none"> ● 24V / 3.24W 135mA ● ○ 24V / 3.96W 165mA 		
IDS3-00-100-2-X	118	25	110	56.8	103	68	<ul style="list-style-type: none"> ● 24V / 4.32W 180mA ● ○ 24V / 5.76W 240mA 		

Model	Dimensions (MM)						Color	Voltage / Watt	Current
	ØA	B	ØC	D	ØE	ØF			
IDS3-00-150-2-X	185	40	172	89.8	165	113	<ul style="list-style-type: none"> ● 24V / 6.48W 270mA ● ○ 24V / 7.92W 330mA 		
IDS3-00-200-2-X	232	50	222	112.8	212	160	<ul style="list-style-type: none"> ● 24V / 9.36W 390mA ● ○ 24V / 12.24W 510mA 		
IDS3-00-250-2-X	284	50	272	139.4	261.6	212	<ul style="list-style-type: none"> ● 24V / 11.52W 480mA ● ○ 24V / 15.12W 630mA 		

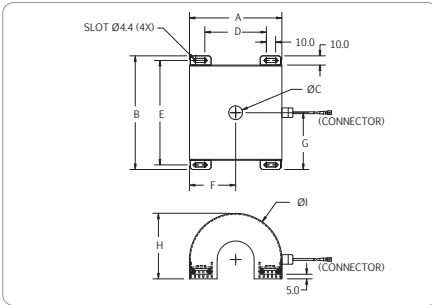
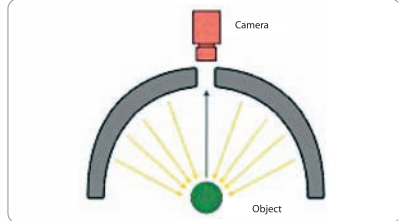
Remarks : 1. 2 types of white are available- W: Cool White WW: Yellowish White
 2. IDS2 part numbers are changed to IDS3
 3. IDS3 is an optimization design of IDS2

Indirect Illumination

IDT SERIES - Tunnel illumination

IDT series shines from a cylindrical surface to provide a tunnel illumination. The illumination is able to provide even illumination for long cylindrical surface.

Application: Crack, chip, stains and mark on cylindrical surface or shafts.



Technical Specification:

- Color Red, Green, Blue and White
- 24V DC Input Power
- Continuous and Strobe Applications
- Compact Size
- Lighting Cable 500mm

Customize Lighting:

- Customize Sizes, Mounting requirements
- Color and Voltage Available
- Consult Technical Sales for More Information

Model	Dimensions (MM)								Color	Voltage / Watt	Current	
	A	B	øC	D	E	F	G	H				øI
IDT-00-100-1-X	100	123	15	66.6	113	50	61.5	71	100	●●○	24V / 12W	500mA
IDT-00-150-1-X	150	183	25	116.6	173	75	91.5	96	150	●●○	24V / 24W	1000mA
IDT-00-200-1-X	200	183	25	166.6	173	100	91.5	121	200	●●○	24V / 24W	1000mA