



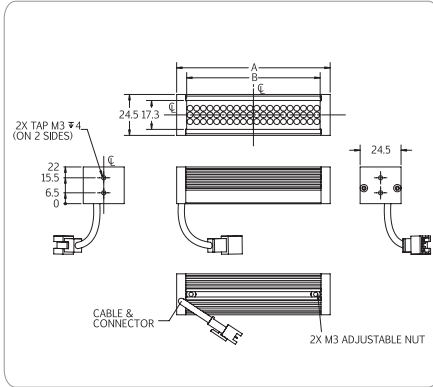
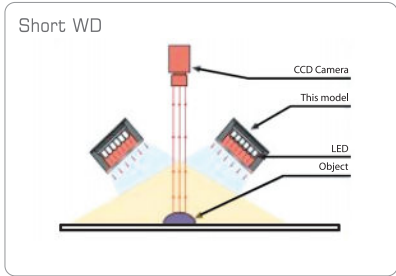
LBRX 3 ROW SERIES

SMD High Density, Rectangular Illumination

(for short working distance)

3 Row SMD LED with lens arrays are arranged in rectangular array to provide rectangular illumination. The rectangular illumination can be mounted with different angle to provide difference in illumination reflection for image processing. Optional diffuser can be added to all LBRX series for more even light distribution.

Application: general illumination, label inspection, character inspection, code recognition.



Technical Specification:

- Color Red, Green, Blue and White
- 24V DC Input Power
- Continuous and Strobe Applications
- Compact Size
- Lighting Cable 500mm

Customize Lighting:

- Customize Sizes, Mounting requirements
- Color and Voltage Available
- Consult Technical Sales for More Information

Model	Dimensions (MM)		Color	Voltage / Watt	Current
	A	B			
LBRX-00-040-3-X	52.0	40.0	● ● ●	24V / 0,79W 24V / 1,01W	33mA 42mA
LBRX-00-080-3-X	92.0	80.0	● ● ●	24V / 1,56W 24V / 2,02W	66mA 84mA
LBRX-00-120-3-X	132.0	120.0	● ● ●	24V / 2,38W 24V / 3,02W	99mA 126mA
LBRX-00-160-3-X	172.0	160.0	● ● ●	24V / 3,17W 24V / 4,03W	132mA 168mA
LBRX-00-200-3-X	212.0	200.0	● ● ●	24V / 3,96W 24V / 5,04W	165mA 210mA



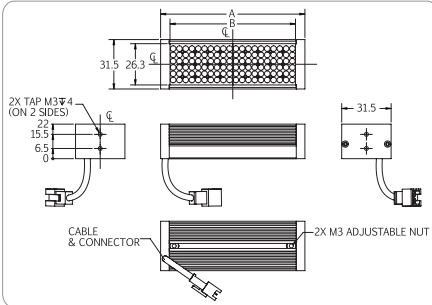
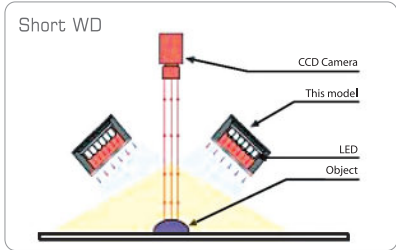
LBRX 6 ROW SERIES

SMD High Density, Rectangular Illumination

(for short working distance)

6 Row SMD LED with lens arrays are arranged in rectangular array to provide rectangular illumination. The rectangular illumination can be mounted with different angle to provide difference in illumination reflection for image processing. Optional diffuser can be added to all LBRX series for more even light distribution.

Application: general illumination, label inspection, character inspection, code recognition.



Technical Specification:

- Color Red, Green, Blue and White
- 24V DC Input Power
- Continuous and Strobe Applications
- Compact Size
- Lighting Cable 500mm

Customize Lighting:

- Customize Sizes, Mounting requirements
- Color and Voltage Available
- Consult: Technical Sales for More Information

Model	Dimensions (MM)		Color	Voltage / Watt	Current
	A	B			
LBRX-00-040-6-X	52.0	40.0	● ● ● ● ● ●	24V / 1.87W	78mA
LBRX-00-080-6-X	92.0	80.0	● ● ● ● ● ●	24V / 1.73W	72mA
LBRX-00-120-6-X	132.0	120.0	● ● ● ● ● ●	24V / 3.74W	156mA
LBRX-00-160-6-X	172.0	160.0	● ● ● ● ● ●	24V / 3.46W	144mA
LBRX-00-200-6-X	212.0	200.0	● ● ● ● ● ●	24V / 5.62W	234mA
			● ● ● ● ● ●	24V / 5.18W	216mA
			● ● ● ● ● ●	24V / 7.49W	312mA
			● ● ● ● ● ●	24V / 6.91W	288mA
			● ● ● ● ● ●	24V / 9.36W	390mA
			● ● ● ● ● ●	24V / 8.64W	360mA